



BEAMZ
MADE
EAZY

150.448 V1.1

PANTHER 85

QUICK START GUIDE

UNPACKING INSTRUCTION

CAUTION! Immediately upon receiving the product, carefully unpack the carton, check the contents to ensure that all parts are present, and have been received in good condition. Notify the shipper immediately and retain packing material for inspection if any parts appear damaged from shipping or the package itself shows signs of mishandling. Save the package and all packing materials. In the event that the product must be returned to the factory, it is important that the product be returned in the original factory box and packing.

If the unit has been exposed to drastic temperature fluctuation (e.g. after transportation), do not switch it on immediately. The arising condensation water might damage your unit. Leave the unit switched off until it has reached room temperature.

POWERSUPPLY

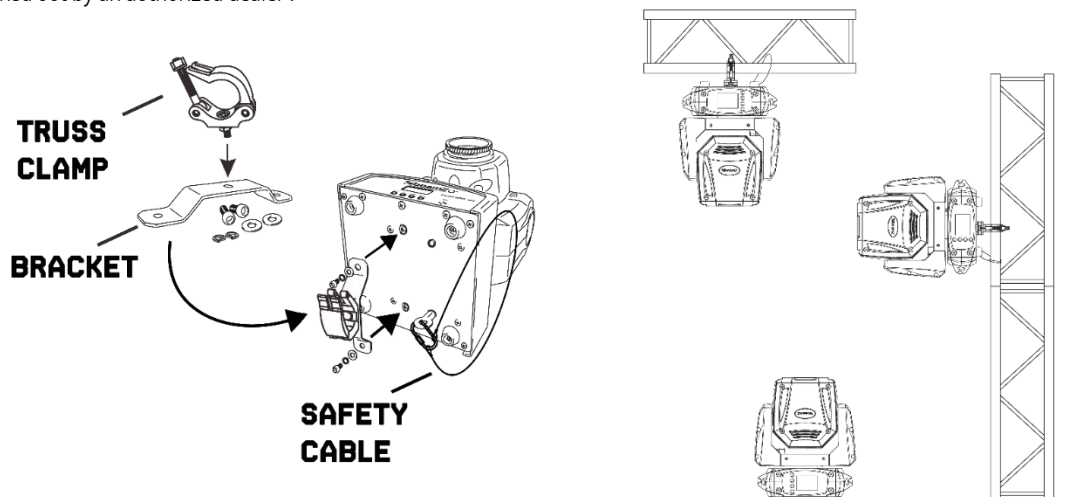
On the label on the backside of the unit is indicated on this type of power supply must be connected. Check that the mains voltage corresponds to this, all other voltages than specified, the light effect can be irreparably damaged. The product must also be directly connected to the mains and may be used. No dimmer or adjustable power supply.

WARNING! Always connect the unit to a protected circuit (circuit breaker or fuse). Make sure the unit has an appropriate electrical ground to avoid the risk of electrocution or fire.

RIGGING

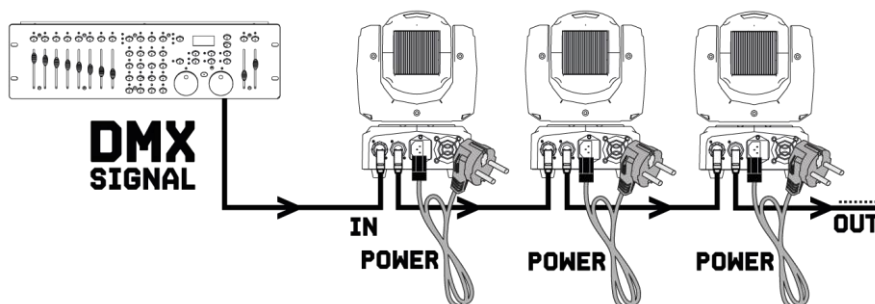
The unit may be set up on a stable and even surface. By means of the fixing facilities of the baseplate, the unit can also be mounted upside down to a truss, see below picture. For fixing, certified clamps with correct safe working load are required. According to the figure, the quick lock bolts of the omega brackets are placed into the openings provided in the base plate and turned clockwise until they lock (to the stop). The mounting place must be of sufficient stability and be able to support a weight of 10 times of the unit's weight. Secure the unit with a safety cable so that it cannot fall down.

When carrying out any installation, always comply European and national guidelines concerning rigging, truss and all other safety issues. Always let the installation checked out by an authorized dealer!

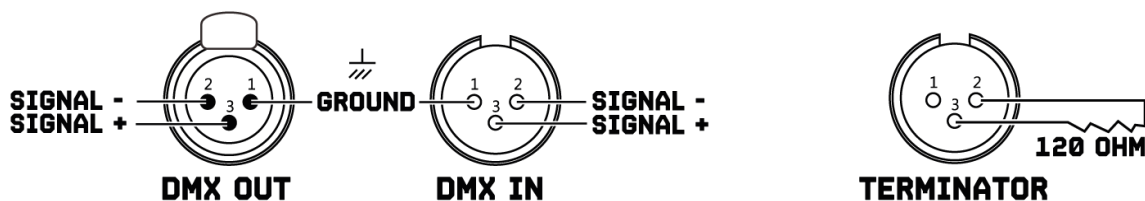


DMX512 CONTROL

If you are using a standard DMX controller, you can connect the DMX output of the controller directly to the DMX input of the first unit in a DMX chain. Always connect the output of one unit with the input of the next unit until all units are connected.



CAUTION! At the last unit, you must close the DMX line with a terminating resistor. Take an XLR connector and solder a 120 Ohm resistor between signal (-) and signal (+) and connect it to the DMX output of the last unit in the line.



CONTROL MENU

MENU		DESCRIPTION
A000-A512		DMX address setting
CHND	13CH	DMX channel mode
SLND	DMX	DMX Mode
	AUTO	Auto running mode
	SOUND	Sound control mode
PAN	YES	Pan Inverse
	NO	
TILT	YES	Tilt inverse
	NO	
SENS	0-100	Adjust microphone sensitivity
LED	ON	Display will always be on
	OFF	Display will always be automatically off after 30 seconds
DISP	YES	Display inverse
	NO	
VER	Vxxx	Software version
FAET	YES	Reset to factory defaults
	NO	

DMX CHANNELS

CHANNEL	FUNCTION	VALUE	DESCRIPTION
1	Pan	000-255	0-540degrees movement
2		000-255	Pan Fine
3	Tilt	000-255	0-190degrees movement
4		000-255	Tilt Fine
5	Pan/Tilt speed	000-255	Pan / Tilt Speed from fast to slow
6	Master dimmer	000-255	Linear dimmer from dark to brighter
7	Strobe	000-255	Strobe from slow to fast
8	Colour	000-255	Red dimmer from dark to brighter
9		000-255	Green dimmer from dark to brighter
10		000-255	Blue dimmer from dark to brighter
11		000-255	White dimmer from dark to brighter
12	Auto program	000-049	CH1-CH11 Valid
		050-149	Auto Running
		150-255	Sound Control
13	Reset	000-240	No function
		241-255	Reset after 5 seconds



BEAMZ

**YOUR FUTURE
YOUR SKILLS
YOUR PLATFORM
YOUR PARTY
YOUR EVENT**



is a leading developer of lighting products, including intelligent DMX moving heads, wireless battery operated DMX effects, static washes, sound-activated club effects, strobes & blacklights, LED lighting, fog and special effects machines, lasers and indoor and outdoor architectural lighting, as well as lighting controllers and protective bags.

