



## Magic 2

Ref. nr.: 153.734



INSTRUCTION MANUAL  
GEBRUIKSAANWIJZING  
BEDIENUNGSANLEITUNG  
MANUAL DE INSTRUCCIONES  
MANUEL D'INSTRUCTIONS  
INSTRUKCJA OBSŁUGI



V1.2

## ENGLISH

Congratulations to the purchase of this Beamz product. Please read this manual thoroughly prior to using the product in order to benefit fully from all features.

Read the manual prior to using the product. Follow the instructions in order not to invalidate the warranty. Take all precautions to avoid fire and/or electrical shock. Repairs must only be carried out by a qualified technician in order to avoid electrical shock. Keep the manual for future reference.

- Prior to using the product, please ask advice from a specialist. When the unit is switched on for the first time, some smell may occur. This is normal and will disappear after a while.
- The unit contains voltage carrying parts. Therefore do NOT open the housing.
- Do not place metal objects or pour liquids into the product. This may cause electrical shock and malfunction.
- Do not place the product near heat sources such as radiators, etc. Do not place the unit on a vibrating surface. Do not cover the ventilation holes.
- The product is not suitable for continuous use.
- Be careful with the mains lead and do not damage it. A faulty or damaged mains lead can cause electrical shock and malfunction.
- When unplugging the product from a mains outlet, always pull the plug, never the lead.
- Do not plug or unplug the unit with wet hands.
- If the plug and/or the mains lead are damaged, they need to be replaced by a qualified technician.
- If the product is damaged to such an extent that internal parts are visible, do NOT plug the unit into a mains outlet and DO NOT switch the product on. Contact your dealer. Do NOT connect the product to a rheostat or dimmer.
- To avoid fire and shock hazard, do not expose the product to rain and moisture.
- All repairs should be carried out by a qualified technician only.
- Connect the product to an earthed mains outlet (220-240Vac/50Hz) protected by a 10-16A fuse.
- During a thunderstorm or if the product will not be used for a longer period of time, unplug it from the mains. The rule is: Unplug it from the mains when not in use.
- If the product has not been used for a longer period of time, condensation may occur. Let the unit reach room temperature before you switch it on. Never use the product in humid rooms or outdoors.
- During operation, the housing becomes very hot. Do not touch it during operation and immediately after.
- To prevent accidents in companies, you must follow the applicable guide lines and follow the instructions.
- Secure the product with an extra safety chain if the unit is ceiling mount. Use a truss system with clamps. Make sure nobody stands in the mounting area. Mount the effect at least 50cm away from inflammable material and leave at least 1 meter space on every side to ensure sufficient cooling.
- This product contains high intensity LEDs. Do not look into the LED light to prevent damage to your eyes.
- Do not repeatedly switch the product on and off. This shortens the life time.
- Keep the unit out of the reach of children. Do not leave the unit unattended.
- Do not use cleaning sprays to clean switches. The residues of these sprays cause deposits of dust and grease. In case of malfunction, always seek advice from a specialist.
- Only operate the product with clean hands.
- Do not force the controls.
- If the product has fallen, always have it checked by a qualified technician before you switch the product on again.
- Do not use chemicals to clean the unit. They damage the varnish. Only clean the product with a dry cloth.
- Keep away from electronic equipment that may cause interference.
- Only use original spares for repairs, otherwise serious damage and/or dangerous radiation may occur.
- Switch the product off prior to unplugging it from the mains and/or other equipment. Unplug all leads and cables prior to moving the product.
- Make sure that the mains lead cannot be damaged when people walk on it. Check the mains lead before every use for damages and faults!
- The mains voltage is 220-240Vac/50Hz. Check if power outlet match. If you travel, make sure that the mains voltage of the country is suitable for this product.
- Keep the original packing material so that you can transport the product in safe conditions



This mark attracts the attention of the user to high voltages that are present inside the housing and that are of sufficient magnitude to cause a shock hazard.



This mark attracts the attention of the user to important instructions that are contained in the manual and that he should read and adhere to.



**DO NOT LOOK DIRECTLY INTO THE LENS.** This can damage your eyes. Persons who are subject to epileptic attacks should be aware of the effects that this light effect may have on them.

The product has been certified CE. It is prohibited to make any changes to the product. They would invalidate the CE certificate and their guarantee!

**NOTE:** To make sure that the unit will function normally, it must be used in rooms with a temperature between 5°C/41°F and 35°C/95°F.



Electric products must not be put into household waste. Please bring them to a recycling centre. Ask your local authorities or your dealer about the way to proceed. The specifications are typical. The actual values can slightly change from one unit to the other. Specifications can be changed without prior notice.

*Do not attempt to make any repairs yourself. This would invalid your warranty. Do not make any changes to the product. This would also invalid your warranty. The warranty is not applicable in case of accidents or damages caused by inappropriate use or disrespect of the warnings contained in this manual. Beamz cannot be held responsible for personal injuries caused by a disrespect of the safety recommendations and warnings. This is also applicable to all damages in whatever form.*

## LASERSAFETY



Read for the commissioning of the laser all safety instructions and technical data of this manual carefully and thoroughly.



Laser Light is different from any other light source with which you may be familiar. The light from this product can potentially cause eye injury if not set up and used properly. Laser light is thousands of times more concentrated than light from any other kind of light source. This concentration of light power can cause instant eye injuries, primarily by burning the retina (the light sensitive portion at the back of the eye). Even if you cannot feel "heat" from a laser beam, it can still potentially injure or blind you or your audience. Even very small amounts of laser light are potentially hazardous even at long distances. Laser eye injuries can happen quicker than you can blink.

It is wrong to assume that a single beam of a bundle of hundreds by the laser beams made, it cannot cause injury.

It is also **incorrect** to assume that it is safe to look at a moving beam. In the laser safety regulation, it is not legal to aim Class 3B/4 lasers in areas which people can get exposed also on a dance floor.

### Caution:

- Do not point lasers at people or animals.
- Never look into the laser aperture or laser beams, this can potentially cause instant eye injury or blindness if laser light directly strikes the eyes.
- Do not point lasers in areas in which people can potentially get exposed, such as uncontrolled balconies, etc.
- Install the laser units such that laser beams above the audience move See section later in this manual.
- Test the laser units always first before the public is present.
- Do not point lasers into the public or at highly reflective surfaces such as windows, mirrors and shiny metal. Even laser reflections can be hazardous.
- Never point a laser at aircraft or into the sky, this is a federal offense.
- Use of controls or adjustments or performance of procedures other than those specified herein may result in hazardous radiation exposure.
- Do not expose the output optic (aperture) to cleaning chemicals.
- The operation of a laser is only allowed if the show is controlled by a skilled and well-trained operator familiar with the requirements that are needed.
- Do not use laser if housing is damaged or open, or if optics appear damaged in any way.
- Never leave this device running unattended.
- Always use appropriate lighting safety cables when hanging lights and effects overhead.

The legal requirements for using laser entertainment products vary from country to country. The user is responsible for the legal requirements at the location/country of use.



This unit contains laser components with high power, live parts and parts that emit radiation. Therefore, **DO NOT OPEN** the housing, **THIS CAN BE FATAL**. It can also cause blindness, skin burns and fires.

### Eye damage occurs faster than you can blink your eyes.

Further guidelines and safety programs for safe use of lasers can be found in the ANSI Z136.1 Standard "For Safe Use of Lasers", available from "www.laserinstitute.org". Many local governments, corporations, agencies, military and others, require all lasers to be used under the guidelines of ANSI Z136.1. Laser Display guidance can be obtained via the International Laser Display Association, www.laserist.org.

## UNPACKING INSTRUCTION

**CAUTION!** Immediately upon receiving a fixture, carefully unpack the carton, check the contents to ensure that all parts are present, and have been received in good condition. Notify the shipper immediately and retain packing material for inspection if any parts appear damage from shipping or the package itself shows signs of mishandling. Save the package and all packing materials. In the event that a fixture must be returned to the factory, it is important that the fixture be returned in the original factory box and packing.

If the device has been exposed to drastic temperature fluctuation (e.g. after transportation), do not switch it on immediately. The arising condensation water might damage your device. Leave the device switched off until it has reached room temperature.

## POWERSUPPLY

On the label on the backside of the fixture is indicated on this type of power supply must be connected. Check that the mains voltage corresponds to this, all other voltages than specified, the light effect can be irreparably damaged. The fixture must also be directly connected to the mains and may be used. No dimmer or adjustable power supply.



Always connect the fixture to a protected circuit (circuit breaker or fuse). Make sure the fixture has an appropriate electrical ground to avoid the risk of electrocution or fire.

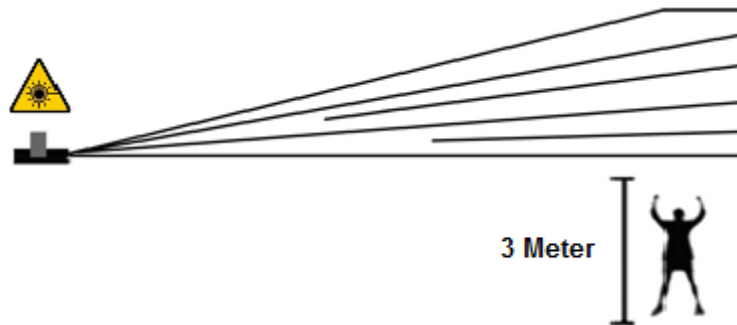
# INSTALLATION



**CAUTION:** Please consider the respective national norms during the installation! The installation must only be carried out by an authorized employee or dealers!



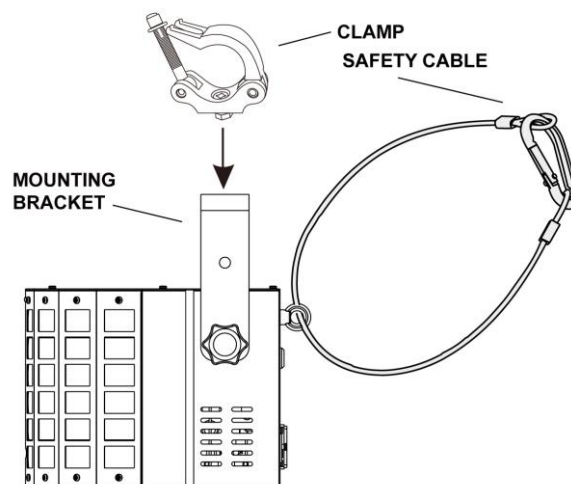
This fixture has been designed to be hung. It is recommended for safety purposes, your lighting effect are properly mounted using a suitable hanging clamp and safety cable. Items appropriate for safe and effective mounting are easily sourced from your lighting vendor. International laser safety regulations require that lasers must be operated in the fashion illustrated below, with a minimum of 3 meters (9.8 ft) of vertical separation between the floor and the lowest laser light vertically. Additionally, 2.5 meters of horizontal separation is required between laser light and audience or other public spaces.



- The installation of the fixture has to be built and constructed in a way that it can hold 10 times the weight for 1 hour without any harming deformation.
- Always use the supplied mounting bracket to hang the fixture.
- The fixture should aid of a mounting bracket (not included) to the supplied mounting bracket to be confirmed.
- The installation must always be secured with a secondary safety attachment, e.g. an appropriate catch net. This secondary safety attachment must be constructed in a way that no part of the installation can fall down if the main attachment fails.
- Make sure the area below the installation place is free from unwanted persons during rigging, de-rigging and servicing.
- The operator has to make sure that safety-relating and machine-technical installations are approved by an expert before taking into operation for the first time and after changes before taking into operation another time.
- The operator has to make sure that safety-relating and machine-technical installations are approved by a skilled person once a year.
- The fixture should be installed in the position where persons cannot reach.



**CAUTION:** When installing the device, make sure there is no highly inflammable material (decoration articles, etc.) in between a distance of min 20inch / 0.5 meter.



## DISPLAY



The control board offer several features: you can simple set the starting address, run the pre-programmed program or make a reset. The main menu is accessed by pressing the **Mode**-button, browse through the submenu by pressing **Up** or **Down**.

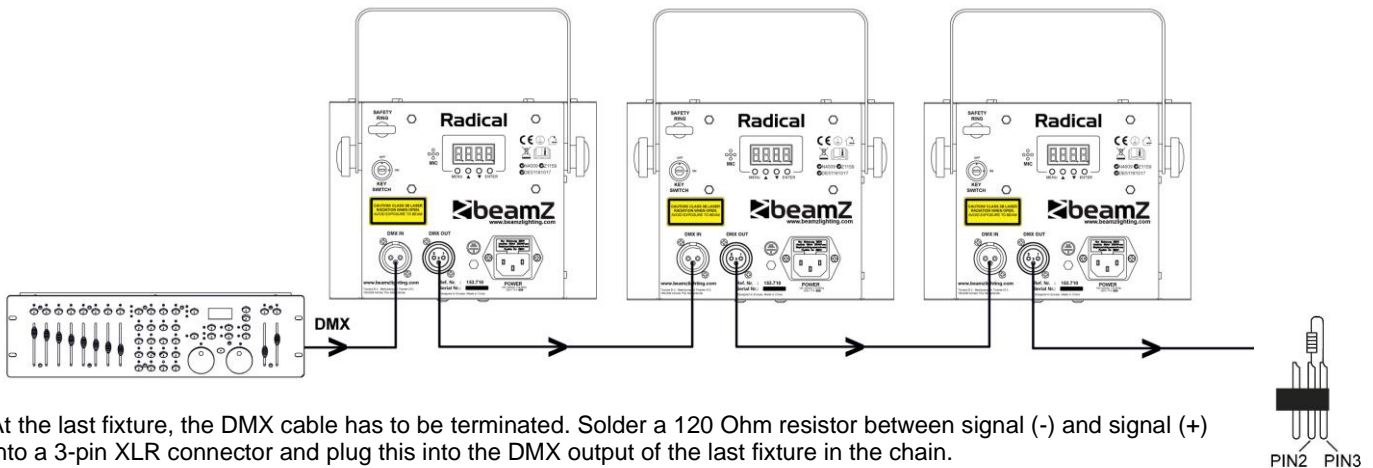
Press the **Enter**-button in order to select the desired menu.

You can change the selection by pressing **Up** or **Down**. Confirm every selection by pressing the **Enter**-button.

You can leave every mode by pressing the **Mode**-button. The functions provided are described later in this manual.

## DMX-512 CONNECTION

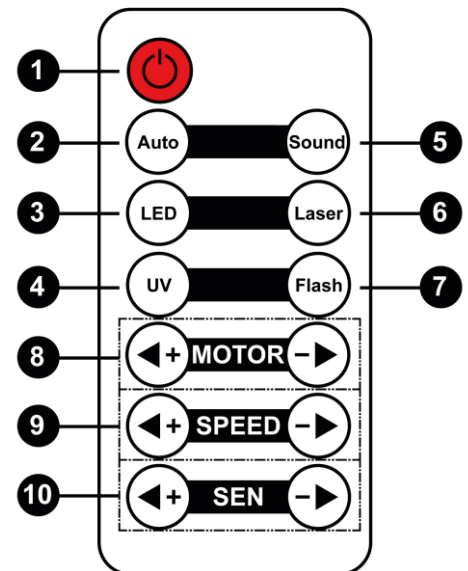
If you are using a standard DMX controller, you can connect the DMX output of the controller directly to the DMX input of the first unit in a DMX chain. Always connect the output of one unit with the input of the next unit until all units are connected. If you use a controller with 5 pin DMX connection you will need to use a 5-pin to 3-pin adapter.



At the last fixture, the DMX cable has to be terminated. Solder a 120 Ohm resistor between signal (-) and signal (+) into a 3-pin XLR connector and plug this into the DMX output of the last fixture in the chain.

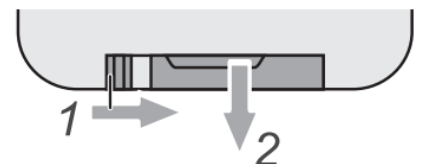
## REMOTE CONTROLLER

1. Sets the unit into blackout on or off
2. Puts the unit into auto mode
3. Select the colour of the derby
4. UV light on or OFF
5. Puts the unit into sound mode
6. Set the Green or Red laser on
7. Strobe white LEDs
8. Derby effect motor speed
9. Sets the speed of colour change, colour fade, sound active and strobe modes
10. Sets the sound sensitivity level - Use the '+' and '-' buttons to change the desired sound sensitivity level (note: only available in sound active mode)



The remote control is supplied with a battery inserted. An insulating foil between the battery and the battery contacts prevents the battery from being discharged during storage. Prior to the first operation remove the foil from the battery support on the rear side of the remote control. Otherwise operation of the remote control is not possible.

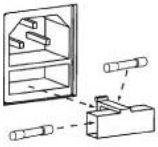
If the range of the remote control decreases, replace the battery. For this purpose, on the rear side of the remote control press the small bar with the groove to the right (1) and at the same time remove the battery support (2). For operation, one 3 V button cell type CR 2025 is required. When inserting, pay attention that the positive pole of the button cell shows upwards in the support.



## REPLACING THE FUSE

If the fuse is defective, replace the fuse with a fuse of the same type and value. Before replacing the fuse, unplug mains lead.

Procedure:



- Step 1: Open the fuse holder on the rear panel with a fitting screwdriver.
- Step 2: Remove the old fuse from the fuse holder.
- Step 3: Install the new fuse in the fuse holder.
- Step 4: Replace the fuse holder in the housing.

## FIXTURE CLEANING

The cleaning of internal and external optical lenses and/or mirrors must be carried out periodically to optimize light output. Cleaning frequency depends on the environment in which the fixture operates: damp, smoky or particularly dirty surrounding can cause greater accumulation of dirt on the unit's optics.

- Make sure the area below the installation place is free from unwanted persons during servicing.
- Housings, fixations and installations spots( ceiling, truss, suspensions) should be totally free from any deformation.
- The mains cables must be in impeccable condition and should be replaced immediately when even a small problem is detected.
- In order to protect the fixture from overheat the cooling fans (if any) and ventilation openings should be cleaned monthly.
- The interior of the fixture should be cleaned annually using a vacuum cleaner or air-jet.
- Clean with soft cloth using normal glass cleaning fluid.
- Always dry the parts carefully.
- Clean the external optics at least every month. Clean the internal optics at least every 30/60 days.

**ATTENTION:** We strongly recommend internal cleaning to be carried out by qualified worker!

Hartelijk dank voor de aanschaf van dit Beamz product. Neemt U a.u.b. een paar momenten de tijd om deze handleiding zorgvuldig te lezen, aangezien wij graag willen dat u onze producten snel en volledig gebruikt.

Lees deze handleiding eerst door alvorens het product te gebruiken. Volg de instructies op anders zou de garantie wel eens kunnen vervallen. Neem ook altijd alle veiligheidsmaatregelen om brand en/of een elektrische schok te voorkomen. Tevens is het ook raadzaam om reparaties / modificaties e.d. over te laten aan gekwalificeerd personeel om een elektrische schok te voorkomen. Bewaar deze handleiding ook voor toekomstig gebruik.

- Bewaar de verpakking zodat u indien het apparaat defect is, dit in de originele verpakking kunt opsturen om beschadigingen te voorkomen.
- Voordat het apparaat in werking wordt gesteld, altijd eerst een deskundige raadplegen. Bij het voor de eerste keer inschakelen kan een bepaalde reuk optreden. Dit is normaal en verdwijnt na een poos.
- In het apparaat bevinden zich onder spanning staande onderdelen; open daarom NOOIT dit apparaat.
- Plaats geen metalen objecten en mors geen vloeistof in het effect. Dit kan leiden tot elektrische schokken of defecten.
- Toestel niet opstellen in de buurt van warmtebronnen zoals radiatoren etc. en niet op een vibrerende onder- grond plaatsen. Dek ventilatieopeningen nooit af.
- Het apparaat is niet geschikt voor continu gebruik.
- Wees voorzichtig met het netsnoer en beschadig deze niet. Als het snoer kapot of beschadigd is, kan dit leiden tot elektrische schokken of defecten.
- Als u de stekker uit het stopcontact neemt, trek dan niet aan het snoer, maar aan de stekker.
- Om brand of elektrische schok te voorkomen, dient u dit apparaat niet bloot te stellen aan regen of vocht.
- Verwijder of plaats een stekker nooit met natte handen resp. uit en in het stopcontact.
- Indien zowel de stekker en/of netsnoer als snoeringang in het apparaat beschadigd zijn dient dit door een vakman hersteld te worden.
- Indien het apparaat zo beschadigd is dat inwendige (onder)delen zichtbaar zijn mag de stekker NOOIT in het stopcontact worden geplaatst en het apparaat NOOIT worden ingeschakeld. Neem in dit geval contact op met de dealer.
- Sluit het apparaat nooit op een dimmer aan.
- Reparatie aan het apparaat dient te geschieden door een vakman of een deskundige.
- Sluit het apparaat alleen aan op een 220-240VAC / 50Hz (geaard) stopcontact, verbonden met een 10-16A meterkastgroep.
- Bij onweer altijd de stekker uit het stopcontact halen, zo ook wanneer het apparaat voor een langere tijd niet gebruikt wordt. Stelregel: Bij geen gebruik stekker verwijderen.
- Als u het apparaat lang niet gebruikt heeft en het weer wil gebruiken kan er condens ontstaan; laat het apparaat eerst op kamertemperatuur komen alvorens het weer in werking te stellen.
- Apparaat nooit in vochtige ruimten en buiten gebruiken.
- De behuizing wordt zeer warm, raak deze dan ook niet aan bij gebruik en direct na gebruik..
- Om ongevallen in bedrijven te voorkomen moet rekening worden gehouden met de daarvoor geldende richtlijnen en moeten de aanwijzingen/waarschuwingen worden gevolgd.
- Zorg voor een extra veiligheidsketting als het product op hoogte wordt gehangen. Gebruik een truss-systeem met montagehaak. Ga nooit onder het product staan bij ophanging. Monteer minimaal 50 cm van brandbare objecten en laat tenminste 1meter vrij aan weerszijden voor een deugdelijke ventilatie.
- Dit apparaat bezit een hoge intensiteit LED; kijk nooit in de LED om oogbeschadigingen te voorkomen.
- Het apparaat buiten bereik van kinderen houden. Bovendien mag het apparaat nooit onbeheerd gelaten worden
- Gebruik geen schoonmaakspray om de schakelaars te reinigen. Restanten van deze spray zorgen ervoor dat smeer en stof ophopen. Raadpleeg bij storing te allen tijde een deskundige.
- Zorg dat uw handen schoon zijn tijdens het gebruik.
- Gebruik geen overmatige kracht bij het bedienen van het apparaat.
- Bij een ongeval met dit product altijd eerst een deskundige raadplegen alvorens opnieuw te gebruiken.
- Tracht het apparaat niet schoon te maken met chemische oplossingen. Dit kan de lak beschadigen. Gebruik een droge doek om schoon te maken.
- Blijf uit de buurt van elektronische apparatuur die bromstoringen zouden kunnen veroorzaken.
- Bij reparatie dienen altijd originele onderdelen te worden gebruikt om onherstelbare beschadigingen en/of ontoelaatbare straling te voorkomen.
- Schakel eerst het apparaat uit voordat u het netsnoer verwijdert. Verwijder netsnoer en aansluitsnoeren voordat u het apparaat gaat verplaatsen.
- Zorg ervoor dat het netsnoer niet beschadigd/defect kan raken wanneer mensen erover heen lopen. Het netsnoer vóór ieder gebruik controleren op breuken/defecten!
- In Nederland/België is de netspanning 220-240Vac/50Hz. Indien u reist (en u neemt het apparaat mee) informeer dan naar de netspanning in het land waar u verblijft.



Deze markering wordt weergegeven om u erop attent te maken dat een levensgevaarlijke spanning in het product aanwezig is en dat bij aanraking van deze delen een elektrische schok wordt verkregen.



Deze instructiemarkering wordt weergegeven om u erop te wijzen dat de instructie zeer belangrijk is om te lezen en/of op te volgen.



**KIJK NOOIT DIRECT IN DE LENS.** Dit kan uw ogen beschadigen. Daarnaast dienen epileptici rekening te houden met de effecten die dit toestel creëert. Dit apparaat is CE goedgekeurd ; er mogen geen veranderingen modificaties worden doorgevoerd ; deze kunnen de CE status te niet doen met alle gevolgen van dien. Tevens vervalt de garantie!

**OPMERKING:** Om zeker te zijn van een correcte werking, dient u dit apparaat in een ruimte te gebruiken waar de temperatuur tussen de 5°C/41°F en 35°C/95°F ligt.



Raadpleeg eventueel [www.wecycle.nl](http://www.wecycle.nl) en/of [www.vrom.nl](http://www.vrom.nl) v.w.b. het afdanken van elektronische apparaten in het kader van de WEEE-regeling. Vele artikelen kunnen worden gerecycled, gooi ze daarom niet bij het huisvuil maar lever ze in bij een gemeentelijk depot of uw dealer. Lever ook afgedankte batterijen in bij uw gemeentelijk depot of bij de dealer, zie [www.stibat.nl](http://www.stibat.nl)

*Alle (defecte) artikelen dienen gedurende de garantieperiode altijd retour te worden gezonden in de originele verpakking. Voer zelf geen reparaties uit aan het apparaat; in elk geval vervalt de totale garantie. Ook mag het apparaat niet eigenmachtig worden gemodificeerd, ook in dit geval vervalt de totale garantie. Ook vervalt de garantie bij ongevallen en beschadigingen in elke vorm t.g.v. onoordeelkundig gebruik en het niet in acht nemen van het gestelde in deze gebruiksaanwijzing. Tevens aanvaardt Beamz geen enkele aansprakelijkheid in geval van persoonlijke ongelukken als gevolg van het niet naleven van veiligheidsinstructies en waarschuwingen. Dit geldt ook voor gevolgschade in welke vorm dan ook.*

## VEILIGHEID

Laserlicht is anders dan ander licht wat u gewoon bent. Laserlicht kan n.l. (oog)letsel veroorzaken. Laserlicht is duizenden keren geconcentreerder dan normaal licht. Deze lichtconcentratie kan het netvlies verbranden. Zelfs als de warmte van een laserstraal niet gevoeld kan worden, kan het oogletsel of blindheid veroorzaken. Zelfs een kleine concentratie en een straal die ver verwijderd is kan gevaarlijk zijn.

Het is **onjuist** te veronderstellen dat één straal uit een bundel van honderden door de laser gemaakte bundels, geen letsel kan veroorzaken.

Het is ook **onjuist** te veronderstellen dat het veilig is in een bewegende straal te kijken. In de wet staat dat het verboden is, bij gebruik van een Klasse 3B/4 laser, de laserstraal op individuen te richten en/of daaronder zoals op dansvloeren enz..

### LET OP!

- Richt een laserstraal nooit op mensen en dieren. Kijk nooit in de laseropening of laserstralen, dit kan oogletsel of blindheid veroorzaken.
- Richt de laserstraal nooit op gebieden waar mensen mogelijk blootgesteld kunnen worden aan de laserstraal, bijvoorbeeld hoger gelegen balkons etc.
- Plaats de laserunits zodanig dat laserstralen boven het publiek bewegen. Zie verderop in deze handleiding.
- Test de laserunits altijd eerst voordat het publiek aanwezig is.
- Het is verboden en gevaarlijk de laserstraal in het publiek te schijnen, of daar te schijnen waar reflecties zoals ramen, spiegels, e.d het publiek bereiken. Ook reflecterende stralen zijn gevaarlijk!
- Richt de laserstraal nooit op vliegtuigen of in de open lucht, dit is een strafbaar feit.
- Het afstellen of gebruik anders dan omschreven in deze handleiding kan leiden tot een gevaarlijke blootstelling aan ongewenste straling.
- Gebruik geen reinigingsmiddelen en/of chemische middelen om de lens schoon te maken.
- Laat de bediening van een laser over aan vakbekwame mensen die vertrouwd zijn met de gestelde eisen die hiervoor nodig zijn.
- Gebruik de laserunit nooit als de behuizing is beschadigd, als de behuizing is geopend of als de optiek op enige wijze beschadigd lijkt.
- Laat een (werkende) laserunit nooit onbeheerd achter.
- Gebruik altijd een veiligheidsketting wanneer een laser op hoogte wordt gemonteerd.

De wettelijke vereisten voor het gebruik van laserapparatuur verschillen per land. De gebruiker is verantwoordelijk voor de toepassing van de wettelijke vereisten zoals die in het betreffende land/regio gelden.



Deze unit bevat laseronderdelen met een hoog vermogen, onder spanning staande delen en delen die straling afgeven. **OPEN** daarom **NOOIT** de behuizing, **DIT KAN LEVENSGEVAARLIJK ZIJN**. Het kan ook blindheid, huidverbranding en brand veroorzaken.

### Oogletsel ontstaat sneller dan u met de ogen kunt knippen.

Verdere richtlijnen en veiligheidsprogramma's voor het veilige gebruik van lasers zijn te vinden in de ANSI Z136.1 Standaard "voor het veilige gebruik van lasers", beschikbaar bij het Laser Institute of America: [www.laserinstitute.org](http://www.laserinstitute.org). Vele plaatselijke overheden, bedrijven, agentschappen, legers en andere instanties vereisen allemaal dat lasers worden gebruikt onder de richtlijnen van ANSI Z136.1. De richtlijn voor laservertoning kan worden verkregen via de International Laser Display Association: [www.laserist.org](http://www.laserist.org). Emissiegegevens van de laser Zoals gemeten onder IEC meetomstandigheden voor classificatie.

## UITPAKKEN

**LET OP!** Onmiddellijk na ontvangst, zorgvuldig uitpakken van de doos, controleer de inhoud om ervoor te zorgen dat alle onderdelen aanwezig zijn en zijn in goede staat zijn ontvangen. Bij transportschade of ontbreken van onderdelen onmiddellijk de verkopende partij inlichten. Bewaar de verpakking en het verpakkingsmateriaal. Indien het armatuur moet worden teruggestuurd, is het belangrijk dat de apparatuur in originele verpakking wordt geretourneerd.

Als het armatuur is blootgesteld aan drastische temperatuurverschillen (bv. na het transport), schakel het armatuur niet onmiddellijk in. De ontstane condensatie kan het armatuur beschadigen. Zorg ervoor dat het armatuur op kamertemperatuur komt en steek vervolgens de voeding stekker in het stopcontact/wandcontactdoos.

## AANSLUITSPANNING

Op het label aan de achterzijde van het armatuur staat aangegeven op welke netspanning deze moet worden aangesloten. Controleer of de netspanning hiermee overeenkomt, bij alle andere netspanningen dan aangegeven kan het armatuur onherstelbaar worden beschadigd. Tevens moet het armatuur direct op de netspanning worden aangesloten en mag géén dimmer of regelbare voeding worden gebruikt.



Sluit het armatuur altijd aan op een beschermd circuit (aardlekschakelaar of zekering). Zorg ervoor dat het armatuur voldoende elektrisch is geaard om het risico op elektrocutie of brand te vermijden.



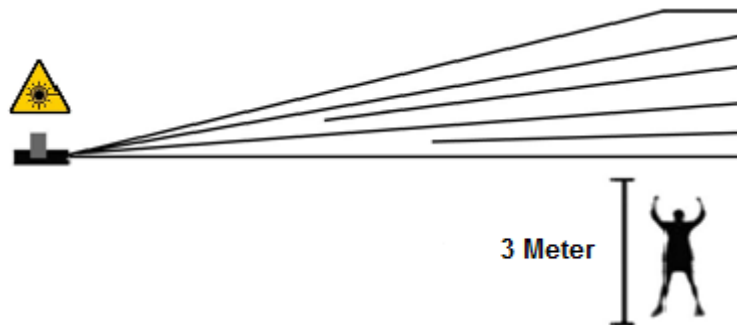
## INSTALLATIE



**LET OP:** Het installeren dient conform de wet en gestelde eisen te geschieden! Ook dient het installeren te geschieden door vakbekwaam personeel!



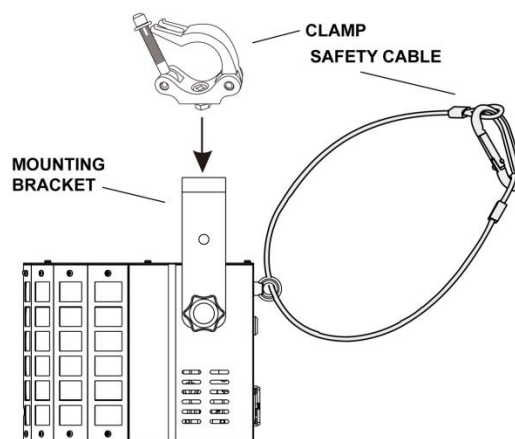
De laserunit kan worden opgehangen. Dit dient op een deugdelijke wijze te geschieden door gebruik te maken van een montageklem en veiligheidskabel. Deze veiligheidsartikelen zijn bij de dealer te verkrijgen. Zoals in het volgende figuur is weergegeven dienen de laserstralen, met een minimum van 3 meter, boven de vloer te schijnen, zodanig dat individuen geen (oog)letsel oplopen. Hou rekening met eventueel aanwezige balkons o.i.d. en pas de 3 meterregel opnieuw toe. Tevens mag de laserunit nooit aanraakbaar zijn, behalve door een vakbekwaam persoon.



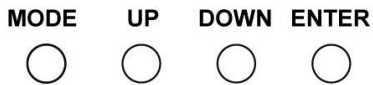
- De constructie van de ophanging dient zo te zijn dat deze 10 keer het gewicht per uur van het armatuur kan dragen.
- Gebruik altijd de meegeleverde bevestigingsbeugel om het armatuur op te hangen.
- Het armatuur dient m.b.v. een montageklem (niet meegeleverd) aan de meegeleverde bevestigingsbeugel te worden bevestigd.
- Het armatuur moet altijd worden gezekeerd d.m.v. veiligheidskabel.
- Zorg ervoor dat geen enkel individu tijdens installatie, reparatie enz. onder het armatuur staat of door kan lopen.
- De gebruiker is verantwoordelijk voor het armatuur, de installatie en de veiligheid van het geheel. Is deze daartoe niet in staat dient altijd een externe deskundige in de arm genomen te worden die het geheel controleert en de verantwoordelijkheid op zich neemt.
- De gebruiker dient minstens eens per jaar het armatuur en de installatie te laten controleren, op veiligheid, technische werking enz., door een externe deskundige.
- Het toestel dient te worden geïnstalleerd buiten handbereik.



**LET OP:** Bij de installatie van het apparaat mag geen ontvlambaar materiaal aanwezig zijn (decoratie materiaal, enz.). Houd tenminste 50 cm afstand tot oppervlakken en andere apparatuur!



## DISPLAY



Het bedieningspaneel biedt verschillende mogelijkheden zoals: eenvoudige invoeren van het startadres, voorgeprogrammeerde programma selecteren of een reset. Het hoofdmenu wordt geopend door op de **Mode**-toets, blader door het submenu door **Up** of **Down**-toets.

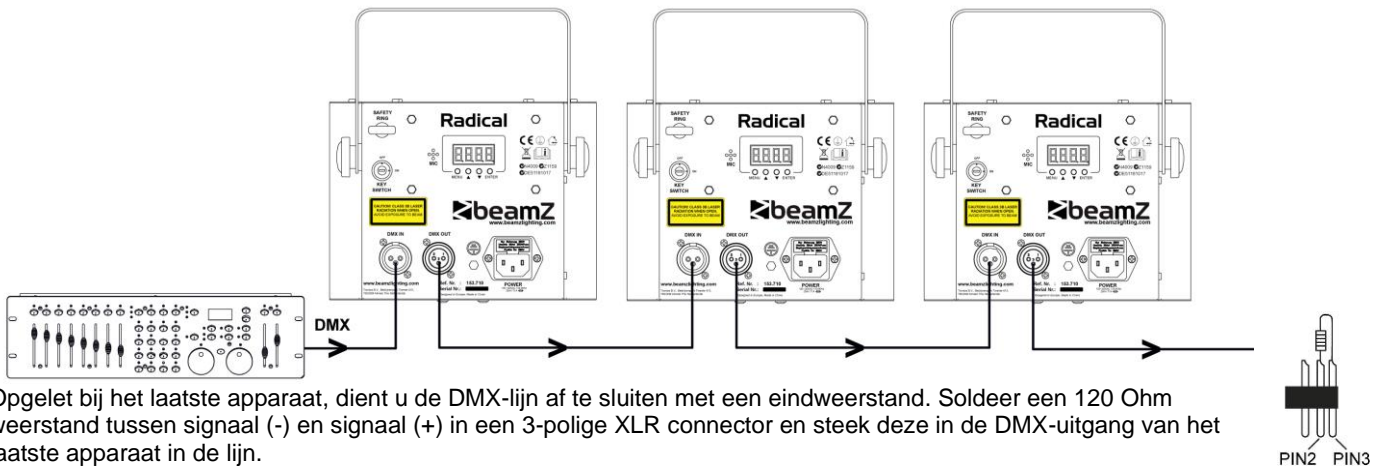
Druk op de **Enter**-toets om het gewenste menu te selecteren.

U kunt de selectie wijzigen door te drukken op de **Up** of **Down**-toets. Bevestig elke keuze door te drukken op de **Enter**-toets.

Je kunt elke modus verlaten door op de **Mode** -toets. De functies worden verderop in de handleiding beschreven.

## DMX-512 AANSLUITEN

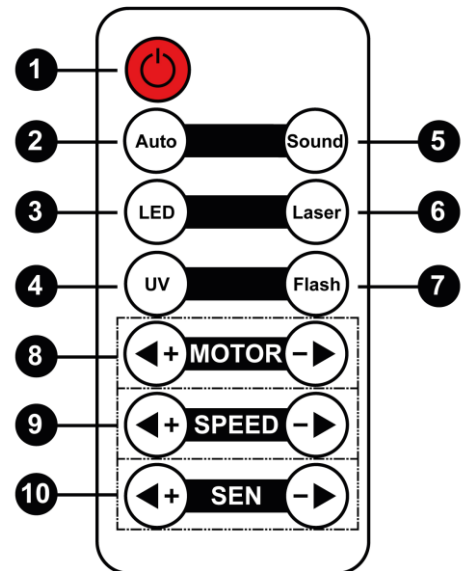
Als u gebruik maakt van een standaard DMX-lichtstuurtafel, kunt u de DMX-uitgang van de stuurtafel rechtstreeks aansluiten op de DMX-ingang van het eerste DMX-apparaat. Sluit altijd de DMX-uitgang aan op de eerst volgende DMX-ingang van het volgende apparaat totdat alle apparaten zijn aangesloten. Als je een lichtstuurtafel gebruikt met 5-pins DMX-connector dient u gebruikt te maken van een 5-pin naar 3-pins verloop adapter.



Opgelet bij het laatste apparaat, dient u de DMX-lijn af te sluiten met een eindweerstand. Soldeer een 120 Ohm weerstand tussen signaal (-) en signaal (+) in een 3-polige XLR connector en steek deze in de DMX-uitgang van het laatste apparaat in de lijn.

## AFSTANDBEDIENING

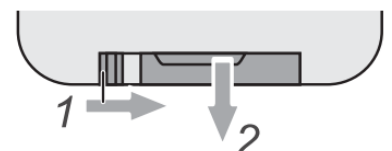
1. Zet het effect aan of uit
2. Zet het apparaat in de automatische modus
3. Selecteer de kleur van de derby
4. UV-licht aan of uit
5. Zet het apparaat in de geluidsmodus
6. Zet de groene of rode laser aan of uit
7. Strobe met de witte LED's
8. Snelheid van de motor voor het Derby effect
9. Stelt de snelheid van kleurverandering, kleuren fading, geluid mode en strobe mode in
10. Stelt het geluidsgevoeligheidsniveau in - Gebruik de '+' en '-' knoppen om het gewenste geluidsgevoeligheidsniveau te veranderen (let op: alleen beschikbaar in geluid actieve modus)



niet mogelijk.

De afstandsbediening is voorzien van een batterij. Een isolerende folie tussen de batterij en de batterij contacten voorkomt dat de batterij tijdens transport ontlad. Voorafgaand aan het eerste gebruik, verwijder de folie van de batterijhouder aan de achterzijde van de afstandsbediening. Anders wordt de werking van de afstandsbediening is

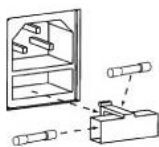
Indien het bereik van de afstandsbediening afneemt, vervang dan de batterij. Aan de achterzijde van de afstandsbediening drukt de schuif met inkeping naar rechts (1) tegelijkertijd verwijdert de batterijhouder (2). Voor de werking, is een 3V knop cel type CR2025 nodig. Let op, bij de het vervangen van de batterij dat u de positieve pool van de knoopcel omhoog plaatst.



## VERVANGEN ZEKERING

Indien de zekering defect is, dient u de zekering te vervangen door een zekering van hetzelfde type en waarde. Voor het vervangen van de zekering, schakel eerst de stroom uit en volg de onderstaande stappen.

Procedure:



- Stap 1: Open de zekeringhouder op het achterpaneel met een passende platte schroevendraaier.
- Stap 2: Verwijder de oude zekering uit de zekeringhouder.
- Stap 3: Installeer de nieuwe zekering in de zekeringhouder.
- Stap 4: Plaats de zekeringhouder in de behuizing.

## ONDERHOUD

Het reinigen van inwendige en uitwendige optische lenzen en / of spiegels moet regelmatig worden uitgevoerd om de lichtopbrengst te optimaliseren. Reinigingsfrequentie is afhankelijk van de omgeving waarin het armatuur wordt gebruikt: een klamme, rokerige of bijzonder vuile omgeving kan een grotere opeenhoping van vuil veroorzaken op de optische uitrusting.

- Zorg er voor dat gedurende het onderhoud zich geen individuen bevinden onder het armatuur.
- Schakel het armatuur uit, trek de stekker uit het stopcontact en wacht tot het armatuur is afgekoeld.
- Behuizing, bevestiging en installaties (plafond, truss, ophanging) moeten van deugdelijke aard zijn.
- Het netsnoer mag niet beschadigd zijn en moet direct vervangen worden, ook bij kleine defecten.
- Om het armatuur te beschermen tegen oververhitting dienen ventilatoren en ventilatie openingen iedere maand gereinigd te worden.
- De lens en spiegels dienen periodiek gereinigd te worden. Deze periode is afhankelijk van de aanwezige viezigheid.
- Alleen reinigen met een droge doek, gebruik geen reinigingsmiddelen.
- Modificaties door de fabrikant worden zonder u op de hoogte te brengen doorgevoerd.

**LET OP:** Wij adviseren u het reinigen en servicen van het apparaat uit te laten voeren door een vakbekwaam persoon.

Vielen Dank für den Kauf dieses Beamz gerat. Nehmen Sie sich einen Augenblick Zeit, um diese Anleitung sorgfältig durchzulesen, damit sie die Möglichkeiten, die unser Produkt bietet, sofort voll ausnutzen können. Lesen Sie erst die Anleitung vollständig vor der ersten Inbetriebnahme durch. Befolgen Sie die Anweisung, da sonst jeglicher Garantieanspruch verfällt. Treffen Sie stets alle Sicherheits-vorkehrungen um Feuer und/oder Stromschlag zu vermeiden. Reparaturen dürfen nur von qualifiziertem Fachpersonal ausgeführt werden, um Stromschlag zu vermeiden. Bewahren Sie diese Anleitung für spätere Bezugnahme auf.

- Bewahren Sie die Verpackung auf, um das Gerät im Bedarfsfall sicher transportieren zu können.
- Bevor das Gerät in Betrieb genommen wird, muss es erst von einem Fachmann überprüft werden. Bei der ersten Benutzung kann etwas Geruch auftreten. Das ist normal und verschwindet nach einer Weile
- Das Gerät enthält unter Spannung stehende Teile. Daher NIEMALS das Gehäuse öffnen.
- Keine Metallgegenstände oder Flüssigkeiten ins Gerät dringen lassen. Sie können zu Stromschlag und Defekten führen.
- Gerät nicht in der Nähe von Wärmequellen wie Heizkörpern aufstellen. Nicht auf eine vibrierende Oberfläche stellen. Niemals die Belüftungsschlitze abdecken.
- Das Gerät ist nicht für Dauerbetrieb geeignet.
- Gehen Sie vorsichtig mit dem Netzkabel um und beschädigen Sie es nicht. Eine beschädigte Netzschnur kann zu Stromschlag und Defekten führen.
- Wenn Sie das Gerät vom Netz trennen, immer am Stecker ziehen, niemals an der Schnur.
- Um Feuer und Stromschlag zu vermeiden, das Gerät vor Regen und Feuchtigkeit schützen.
- Den Stecker nie mit nassen Händen in eine Netzsteckdose stecken oder abziehen.
- Wenn sowohl der Stecker und/oder die Netzschnur bzw. der Kabeleintritt ins Gerät beschädigt sind, müssen sie von einem Fachmann repariert werden.
- Wenn das Gerät so beschädigt ist, dass Innenteile sichtbar sind, darf der Stecker NICHT in eine Steckdose gesteckt werden und das Gerät darf NICHT eingeschaltet werden. Wenden Sie sich in dem Fall an Ihren Fachhändler. Das Gerät darf nicht an einen Dimmer angeschlossen werden.
- Reparaturen dürfen nur von einem Fachmann oder Sachverständigen ausgeführt werden.
- Das Gerät nur an eine geerdete 10-16A Netzsteckdose mit 220-240V AC/50Hz Spannung anschließen.
- Bei Gewitter oder längerem Nichtgebrauch den Netzstecker abziehen. Die Regel gilt: Bei Nichtgebrauch Netzstecker abziehen.
- Wenn das Gerät längere Zeit nicht benutzt wurde, kann sich Kondenswasser gebildet haben. Lassen Sie das Gerät erst auf Zimmertemperatur kommen, bevor Sie es einschalten. Das Gerät nicht in feuchten Räumen oder im Freien benutzen.
- Das Gehäuse wird sehr warm. Während des Betriebs und gleich danach nicht das Gehäuse anfassen.
- Um Unfällen in der Öffentlichkeit vorzubeugen, müssen die geltenden Richtlinien beachtet und die Anweisungen/Warnungen befolgt werden.
- Wenn das Gerät an der Decke befestigt werden soll, muss es mit einer zusätzlichen Sicherheitskette abgesichert werden. Benutzen Sie ein Traversen system mit Haken. Während der Montage darf sich niemand im Bereich darunter aufhalten. Das Gerät muss mindestens 50cm von brennbaren Materialien entfernt angebracht werden. Lassen Sie einen Mindestabstand von 1m an jeder Seite des Geräts frei, um ausreichende Kühlung zu gewährleisten.
- Das Gerät besitzt eine hochintensive LED. Niemals direkt in die LED blicken, um die Augen nicht zu beschädigen.
- Niemals das Gerät kurz hintereinander ein- und ausschalten. Dadurch verkürzt sich die Lebensdauer erheblich.
- Das Gerät außerhalb der Reichweite von Kindern halten. Das Gerät niemals unbeaufsichtigt lassen.
- Die Regler nicht mit Reinigungssprays reinigen. Diese hinterlassen Rückstände, die zu Staub- und Fettansammlungen führen. Bei Störungen immer einen Fachmann um Rat fragen.
- Das Gerät nur mit sauberen Händen bedienen.
- Das Gerät nicht mit Gewalt bedienen.
- Nach einem Unfall mit dem Gerät immer erst einen Fachmann um Rat fragen, bevor Sie es wieder einschalten.
- Keine chemischen Reinigungsmittel benutzen, die den Lack beschädigen. Das Gerät nur mit einem trockenen Tuch abwischen.
- Nicht in der Nähe von elektronischen Geräten benutzen, die Brummstörungen verursachen können.
- Bei Reparaturen nur die Original-Ersatzteile verwenden, um starke Schäden und/oder gefährliche Strahlungen zu vermeiden.
- Bevor Sie das Netz- und/oder Anschlusskabel abziehen, erst das Gerät ausschalten. Netz- und Anschlusskabel abziehen, bevor Sie das Gerät umstellen.
- Sorgen Sie dafür, dass das Netzkabel nicht beschädigt werden kann, wenn Menschen darüber laufen. Das Netzkabel vor jedem Einsatz auf Brüche/Schadstellen überprüfen.
- In Deutschland beträgt die Netzspannung 220-240V AC / 50Hz. Wenn Sie das Gerät auf Reisen mitnehmen, prüfen Sie, ob die örtliche Netzspannung den Anforderungen des Geräts entspricht.



Dieses Zeichen weist den Benutzer darauf hin, dass lebensgefährliche Spannungen im Gerät anliegen, die bei Berührung einen Stromschlag verursachen.



Dieses Zeichen lenkt die Aufmerksamkeit des Benutzers auf wichtige Hinweise in der Anleitung hin, die unbedingt eingehalten werden müssen.



**NIEMALS DIREKT IN DIE LINSE BLICKEN.** Dies kann Ihre Augen verletzen. Epileptiker müssen die Auswirkungen berücksichtigen, die die Effekte dieses gerat auf ihre Gesundheit haben können. Das Gerät ist CE geprüft. Daher dürfen KEINE Veränderungen vorgenommen werden. Außerdem verfällt bei Veränderungen am Gerät jeglicher Garantieanspruch!

**HINWEIS:** Um einen einwandfreien Betrieb zu gewährleisten, muss die Raumtemperatur zwischen 5° und 35°C liegen.



Tronios BV Registrierungsnummer : DE51181017 (ElektroG). Dieses Produkt darf am Ende seiner Lebensdauer nicht über den normalen Haushaltsabfall entsorgt werden, sondern muss an einem sammelpunkt für das Recycling abgegeben werden. Hiermit leisten Sie einen wichtigen Beitrag zum Schutze unserer Umwelt.  
Tronios BV Registrierungsnummer : 21003000 (BatterieG). (Lithium)Batterien und Akkupacks sollten nur im entladenen Zustand in die Altbatteriesammelgefäße bei Handel und bei öffentlich-rechtlichen Entsorgungsträgern gegeben werden. Bei nicht vollständig entladenen Batterien Vorsorge gegen Kurzschluß treffen durch Isolieren der Pole mit Klebestreifen. Der Entnutzer ist zur Rückgabe von Altbatterien gesetzlich verpflichtet.

Reparieren Sie das Gerät niemals selbst und nehmen Sie niemals eigenmächtig Veränderungen am Gerät vor. Sie verlieren dadurch den Garantieanspruch. Der Garantieanspruch verfällt ebenfalls bei Unfällen und Schäden in jeglicher Form, die durch unsachgemäßen Gebrauch und Nichtbeachtung der Warnungen und Sicherheitshinweise in dieser Anleitung entstanden sind. Beamz ist in keinem Fall verantwortlich für persönliche Schäden in Folge von Nichtbeachtung der Sicherheitsvorschriften und Warnungen. Dies gilt auch für Folgeschäden iedlicher Form.

# LASER SICHERHEITSHINWEISE



**Bei diesem Gerät besteht Verletzungsgefahr! Lesen Sie diese Anweisungen genau durch. Sie enthalten wichtige Informationen über die Montage, sicheren Gebrauch und Wartung!**



Laserlicht hat nichts mit anderen Lichtquellen, die sie vielleicht kennen, zu tun. Das Licht dieses Produktes kann Augenverletzungen verursachen, wenn es nicht richtig installiert und bedient wird. Laserlicht ist mehrere tausend Male konzentrierter als jede andere Lichtquelle. Diese hohe Konzentration kann zu sofortigen Augenverletzungen führen, insbesondere zur Verbrennung der Netzhaut. Selbst wenn Sie keine „Hitze“ vom Laserstrahl spüren, kann er trotzdem Blindheit verursachen. Sogar ganz geringe Mengen von Laserstrahlen auf lange Entfernungen sind gefährlich.

Es ist falsch zu denken, dass ein einzelner Strahl aus einem Bündel von Hunderten von den Laserstrahlen, kann es nicht zu Verletzungen führen.

Es ist ebenfalls falsch zu glauben, dass der Laserstrahl harmlos ist, weil er sich bewegt. Das ist nicht wahr und außerdem bewegt er sich auch nicht ständig. Da Augenverletzungen sofort auftreten, ist es lebenswichtig, die Möglichkeit von eventuellem, direktem Augenkontakt völlig auszuschließen. In den Sicherheitsbestimmungen für Laser ist es illegal, einen Laser der Klasse 3B/4 auf Bereiche zu richten, wo sich Personen befinden können. Dies gilt auch, wenn der Strahl unterhalb von den Augen der Menschen, z.B. auf den Tanzboden gerichtet ist.

## VORSICHT!

- Den Laserstrahl niemals auf Menschen oder Tiere richten.
- Niemals in die Laseraustrittsöffnung oder einen Laserstrahl blicken, dies kann Augenschäden oder Blindheit verursachen.
- Den Laserstrahl nicht auf Bereiche richten, wo Menschen möglicherweise dem Strahl ausgesetzt werden können, z.B. einen unüberwachten Balkon
- Die Lasereinheiten Stattdessen bewegen, so dass Laser über dem Publikum strahlt. Siehe unten in diesem Handbuch.
- Testen Sie die Lasereinheiten immer zuerst, bevor das Publikum vorhanden ist.
- Es ist verboten und gefährlich, den Laserstrahl aufs Publikum zu richten, wo das Licht oder die Reflexion des Lichtstrahls Personen ins Auge treffen kann
- Niemals den Laserstrahl auf Flugzeuge oder in der freien Luft, das ist eine Straftat.
- Einstellen oder andere als in dieser Anleitung angegeben sind, kann zu gefährlicher Freigabe von unerwünschter Strahlung führen.
- Niemals die Austrittsoptik chemischen Reinigungsmitteln aussetzen.
- Der Betrieb eines Lasers ist zu zulässig, wenn das Gerät von einem ausgebildeten Fachmann betrieben wird, der mit den Informationen in dieser Anleitung vertraut.
- Den Laser nicht benutzen, wenn das Gehäuse beschädigt oder geöffnet ist, oder wenn die Optik in irgendeiner Weise beschädigt zu sein scheint.
- Das Gerät niemals ohne Aufsicht laufen lassen.

Die gesetzlichen Vorschriften zum Gebrauch von Laser in der Unterhaltungselektronik ist von Land zu Land verschieden. Der Benutzer ist für die Einhaltung der gesetzlichen Vorschriften verantwortlich.



Dieses Gerät enthält Laserkomponenten mit hoher Leistung, spannungsführende Teile und Teile, die Strahlung aussenden. Daher NICHT ÖFFNEN das Gehäuse, kann dies fatal. Es kann auch zu Blindheit, Hautverbrennungen und Brände verursachen.

## Augenschäden tritt schneller, als Sie deine Augen blinzeln.

Weitere Richtlinien und Programme zur sicheren Benutzung von Lasergeräten finden Sie in der Norm ANSI Z136.1 "For Safe Use of Lasers", die vom Laser Institute of America: [www.laserinstitute.org](http://www.laserinstitute.org) bezogen werden kann. Viele lokale Behörden, Unternehmen, Agenturen, das Militär und andere Einrichtungen erfordern eine Benutzung von Lasergeräten gemäß der Norm ANSI Z136.1. Die Richtlinie "Laser Display" kann über die International Laser Display Association: [www.laserist.org](http://www.laserist.org) bezogen werden.

## AUSPACKEN

Packen Sie das Gerät sofort nach Empfang aus und prüfen Sie den Inhalt. Wenn Teile fehlen oder beschädigt sind, benachrichtigen Sie sofort den Spediteur und bewahren Sie die Verpackung auf. Falls ein Gerät ins Werk zurückgeschickt werden muss, ist es wichtig, dass es in der Originalverpackung versandt wird.

Das Gerät darf nicht in Betrieb genommen werden, nachdem es von einem kalten in einen warmen Raum gebracht wurde. Das dabei entstehende Kondenswasser kann unter Umständen Ihr Gerät zerstören. Lassen Sie das Gerät solange uneingeschaltet, bis es Zimmertemperatur erreicht hat!

## NETZANSCHLUSS

Die benötigte Versorgungsspannung steht auf dem Typenschild auf der Rückseite des Geräts. Die angegebenen Stromwerte entsprechen einem Durchschnittswert bei normalem Betrieb. Alle Geräte müssen direkt ans Netz angeschlossen werden und dürfen nicht über Dimmerpacks geschaltet werden. Bevor Sie eine Spannung anlegen, prüfen Sie, ob der Wert der zulässigen Spannung entspricht.



Verbinden Sie immer das Gerät an einem geschützten Schaltkreis (Leistungsschalter oder Sicherung). Stellen Sie sicher, das Gerät ist elektrisch geerdet, um das Risiko eines Stromschlags oder Feuer zu vermeiden.

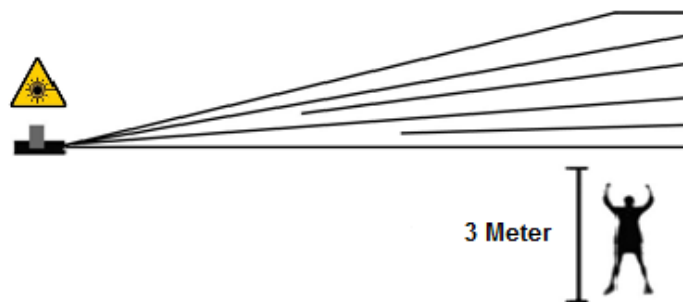
## INSTALLATION



**VORSICHT:** Bitte beachten Sie die entsprechende nationale Gesetzgebung während der Montage! Die Installation darf nur von befugten Angestellten oder Fachleuten ausgeführt



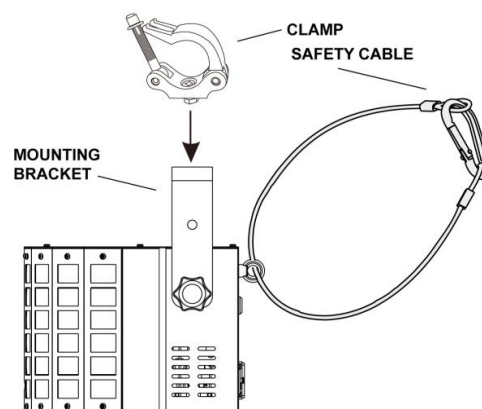
Das Gerät muss aufgehängt werden. Aus Sicherheitsgründen ist es empfehlenswert, den Lichteffekt mit einem geeigneten Haken und Sicherheitskabel zu befestigen. Geeignetes Material erhalten Sie bei Ihrem Fachhändler für Lichteffektgeräte. Internationale Laser Sicherheitsbestimmungen verlangen, dass Laser wie unten abgebildet eingesetzt werden, in einer Mindesthöhe von 3m über dem Boden. Hinzu kommt ein horizontaler Abstand von 2,5m zwischen dem Laser und dem Publikum.



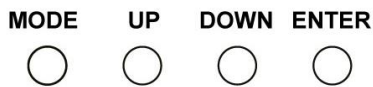
- Die Aufhängung des Geräts muss 10-mal das Eigengewicht 1 Stunde lang ohne Spuren von Verformung tragen können.
- Die Anlage muss immer mit einer zweiten Sicherheitsvorrichtung z.B. einem geeigneten Fallnetz abgesichert werden. Die zweite Sicherheitsvorrichtung muss so gebaut sein, dass keine Teile des Geräts auf den Boden fallen können, falls die Hauptbefestigung nachgibt.
- Achten Sie drauf, dass sich während der Montage, Demontage und Wartung keine Personen unter dem Montageplatz befinden.
- Der Benutzer muss sicherstellen, dass alle sicherheitstechnischen Anlagen von einem Fachmann geprüft werden, bevor er die Anlage zum ersten Mal in Betrieb nimmt oder nach Änderungen der Anlage.
- Der Benutzer muss sicherstellen, dass die Anlage einmal im Jahr von einem Fachmann geprüft wird.
- Das Gerät muss an einem Ort angebracht werden, wo es nicht von Personen erreicht werden kann und wo sich keine Personen weder stehend noch sitzend aufhalte.



**VORSICHT:** Die Ausführung von Befehlen, Einstellungen und Handlungen, die nicht in dieser Anleitung beschrieben sind, können zu gefährlichen Laserstrahlungen führen.



## DISPLAY



Die Konsole bietet verschiedene Funktionen wie: einfache Eingabe der Startadresse, wählen Sie Preset-Programm oder ein Reset. Das Hauptmenü wird durch Drücken der **Mode**-Taste aufgerufen, blättern Sie durch die Untermenüs durch **Up** oder **Down**-Taste.

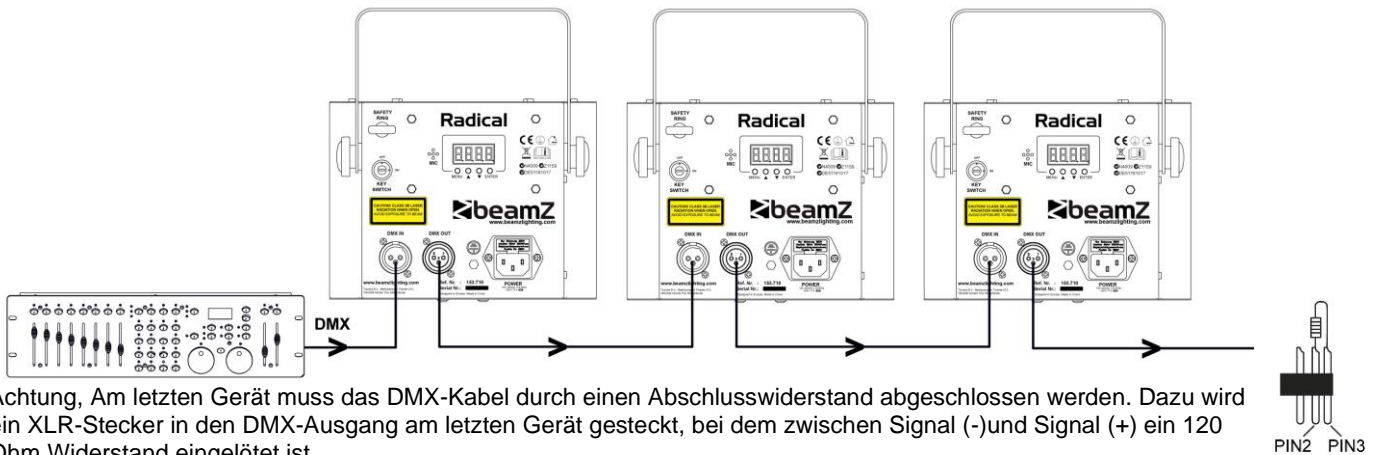
Drücken Sie die **Enter**-Taste, um das gewünschte Menü auszuwählen.

Sie können die Auswahl mit der Taste **Up** oder **Down**, ändern. Bestätigen Sie jede Auswahl mit der **Enter**-Taste.

Sie können jeden Modus durch Drücken der **Mode**-Taste verlassen. Die Funktionen werden später in dieser Gebrauchsanleitung beschrieben.

## DMX-512 ANSCHLUSS

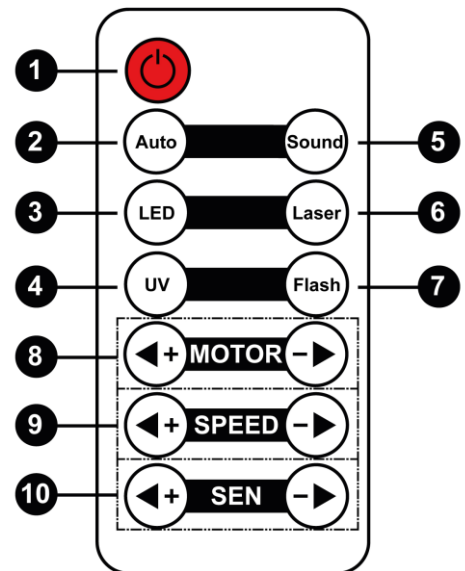
Wenn Sie einen standard Controller verwenden, können Sie den DMX-Ausgang des Controllers direkt mit dem DMX-Eingang des ersten Gerätes der DMX-Kette verbinden. Verbinden Sie immer einen Ausgang mit dem Eingang des nächsten Gerätes bis alle Geräte angeschlossen sind. Sollen DMX-Controller mit 5-polige XLR-Ausgängen angeschlossen werden, müssen 5-polige nach 3-polige Adapter verwendet werden.



Achtung, Am letzten Gerät muss das DMX-Kabel durch einen Abschlusswiderstand abgeschlossen werden. Dazu wird ein XLR-Stecker in den DMX-Ausgang am letzten Gerät gesteckt, bei dem zwischen Signal (-) und Signal (+) ein 120 Ohm Widerstand eingelötet ist.

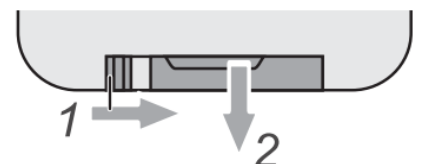
## FERNBEDIENUNG

1. Schaltet das Gerät ein oder aus
2. Versetzt das Gerät in den automatischen Modus
3. Wählen Sie die Farbe des Derbys
4. UV-Licht an oder aus
5. Versetzt das Gerät in den Klangmodus
6. Stellen Sie den grünen oder roten Laser ein
7. Strobe weiße LEDs
8. Derby-Effekt Motordrehzahl
9. Legt die Geschwindigkeit für Farbwechsel, Farbüberblendung, Tonaktivierung und Strobe-Modi fest
10. Stellt die Lautstärke-Empfindlichkeitsstufe ein - Verwenden Sie die Tasten '+' und '-', um die gewünschte Lautstärke-Empfindlichkeitsstufe zu ändern (Hinweis: nur im aktiven Sound-Modus verfügbar)



Fernbedienung wird mit eingesetzter Batterie geliefert. Damit die Batterie während der Lagerung nicht entladen werden kann, befindet sich eine Isolierfolie zwischen der Batterie und den Batteriekontakten. Ziehen Sie vor dem ersten Betrieb die Folie auf der Rückseite der Fernbedienung aus dem Batteriehalter heraus. Anderenfalls ist die Fernbedienung nicht funktionstüchtig.

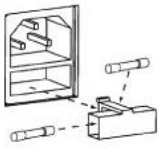
Wenn die Reichweite der Fernbedienung abnimmt, ersetzen Sie die Batterie. Drücken Sie dazu auf der Rückseite der Fernbedienung den kleinen Riegel mit der Kerbe nach rechts drücken (1) und ziehen Sie gleichzeitig den Batteriehalter heraus (2). Für den Betrieb der Fernbedienung wird eine 3-V-Knopfzelle Typ CR 2025 benötigt. Achten Sie beim Einsetzen darauf, dass der Pluspol der Knopfzelle im Halter nach oben zeigt.



## SICHERUNGSWECHSEL

Wenn die Feinsicherung des Gerätes defekt ist, darf diese nur durch eine Sicherung gleichen Typs ersetzt werden. Vor dem Sicherungswechsel ist das Gerät allpolig von der Netzspannung zu trennen (Netzsteckerziehen).

Vorgehensweise:



Schritt 1: Öffnen Sie den Sicherungshalter an der Geräterückseite mit einem passenden Schraubendreher.

Schritt 2: Entfernen Sie die defekte Sicherung aus dem Sicherungshalter.

Schritt 3: Setzen Sie die neue Sicherung in den Sicherungshalter ein.

Schritt 4: Setzen Sie den Sicherungshalter wieder im Gehäuse ein.

## REINIGUNG UND WARTUNG

Der inneren und äußeren optischen Linsen und / oder Spiegel müssen regelmäßig gereinigt werden, um die Lichtleistung zu optimieren. Die Häufigkeit der Reinigung hängt von der Umgebung, in der das: feuchte, verrauchte und besonders verschmutzte Umgebung führen zu größerer Verschmutzung auf den Linsen des Geräts verursachen.

- Stellen Sie sicher, dass der Bereich unterhalb des Geräts befinden sich keine unbefugten Personen im Servicefall.
- Alle Schrauben, mit denen das Gerät oder Geräteteile montiert sind, müssen fest sitzen und dürfen nicht korrodiert sein.
- An Gehäuse, Befestigungen und Montageort (Decke, Abhängung, Traverse) dürfen keine Verformungen sichtbar sein.
- Die elektrischen Anschlussleitungen dürfen keinerlei Beschädigungen, Materialalterung (z.B. poröse Leitungen) oder Ablagerungen aufweisen. Um den Laser vor Überhitzung Lüfter und Lüftungsschlitze sollten monatlich gereinigt werden, zu schützen.
- Das Objektiv und Spiegel sollten regelmäßig gereinigt werden. Diese Zeit ist abhängig von der vorhandenen Schmutz.
- Reinigen Sie es nur mit einem trockenen Tuch.
- Auf keinen Fall Alkohol oder irgendwelche Lösungsmittel zur Reinigung verwenden!
- Reinigen Sie das Objektiv sauber mindestens einmal im Monat.
- Änderungen, ohne dass Sie den vom Hersteller geändert informieren.

**ACHTUNG:** Wartungs- und Servicearbeiten sind ausschließlich dem autorisierten Fachhandel vorbehalten!



Enhorabuena por la compra de este efecto de luces Beamz. Por favor lea atentamente este manual antes de usar el aparato para disfrutar al completo de sus prestaciones.

Seguir las instrucciones le permite no invalidar la garantía. Tome todas las precauciones para evitar que se produzca fuego o una descarga eléctrica. Las reparaciones solo deben llevarse a cabo por técnicos cualificados para evitar descargas eléctricas. Guarde el manual para futuras consultas. Antes de usar el aparato, por favor pida consejo a un profesional. Cuando el aparato se enciende por primera vez, suele sentirse cierto olor. Esto es normal y desaparece al poco tiempo.

- Este aparato contiene piezas que llevan voltaje. Por lo tanto NO abra la carcasa.
- No coloque objetos metálicos o vierta líquidos dentro del aparato. Podría producir descargas eléctricas y fallos en el funcionamiento.
- No coloque el aparato cerca de fuentes de calor tipo radiadores, etc. No coloque el aparato en superficies vibratorias. No tape los agujeros de ventilación.
- Este aparato no está preparado para un uso continuado.
- Tenga cuidado con el cable de alimentación y no lo dañe. Un daño o defecto en el cable de alimentación puede producir una descarga eléctrica o fallo en el funcionamiento.
- Cuando desconecte el aparato de la toma de corriente, siempre tire de la clavija, nunca del cable.
- No enchufe o desenchufe el aparato con las manos mojadas.
- Si la clavija y/o el cable de alimentación están dañados, necesitan reemplazarse por un técnico cualificado.
- Si el aparato está dañado de modo que puedan verse sus partes internas, NO conecte el aparato a la toma de corriente y NO lo encienda. Contacte con su distribuidor. NO conecte el aparato a un reostato o dimmer.
- Para evitar un fuego o peligro de descarga, no exponga el aparato a la lluvia y a la humedad.
- Todas las reparaciones deben llevarse a cabo exclusivamente por técnicos cualificados.
- Conecte el aparato a una toma de corriente con toma de tierra (220-240Vca/50Hz) protegida por un fusible de 10-16A.
- Durante una tormenta o si el aparato no va a usarse durante un periodo largo de tiempo, desconéctelo de la toma de corriente. La regla es: Desconéctelo si no lo va a usar.
- Si el aparato no se ha usado en mucho tiempo puede producirse condensación. Deje el aparato a temperatura ambiente antes de encenderlo. Nunca utilice el aparato en ambientes húmedos o en el exterior.
- Durante el funcionamiento, la carcasa se calienta muchísimo. No la toque durante el funcionamiento o inmediatamente después.
- Para prevenir accidentes en las empresas, debe seguir las directrices aplicables y seguir las instrucciones.
- Asegure el aparato con una cadena de seguridad extra si el aparato se monta en un techo. Utilice un sistema de truss con ganchos. Asegúrese de que nadie permanece en el área de montaje. Monte el efecto a una distancia de al menos 50cm de materiales inflamables y deje un espacio de al menos 1 metro a cada lado para permitir que haya suficiente ventilación.
- Este aparato contiene LEDs de alta luminosidad. No mire a la luz del LED para evitar daños en su vista.
- No lo apague y encienda repetidamente. Esto acorta su tiempo de vida.
- Mantenga el aparato fuera del alcance de los niños. No deje el aparato sin vigilancia.
- No utilice sprays limpiadores para limpiar los interruptores. Los residuos de estos sprays producen depósitos de polvo y grasa. En caso de mal funcionamiento, siempre consulte a un profesional.
- Solo maneje el aparato con las manos limpias.
- No fuerce los controles.
- Si el aparato se ha caído, siempre haga que lo verifique un técnico cualificado antes de encenderlo otra vez.
- NO utilice productos químicos para limpiar el aparato. Dañan el barniz. Tan solo límpielo con un trapo seco.
- Manténgalo lejos de equipos electrónicos ya que pueden producir interferencias.
- Solo utilice recambios originales para las reparaciones, de otro modo pueden producirse daños serios y/o radiaciones peligrosas.
- Apague el aparato antes de desconectarlo de la toma de corriente y/o de otros equipos. Desconecte todos los cables y conexiones antes de mover el aparato.
- Asegúrese de que el cable de alimentación no puede dañarse cuando la gente lo pise. Compruebe el cable de alimentación antes de cada uso por si hay daños o defectos.
- El voltaje de funcionamiento es 220-240Vca/50Hz. Compruebe que la toma de corriente coincide. Si tiene que viajar, asegúrese de que el voltaje del país es el adecuado para este aparato.
- Guarde el embalaje original para poder transportar el aparato en condiciones seguras.



Esta señal advierte al usuario de la presencia de alto voltaje en el interior de la carcasa y que es de la suficiente magnitud como para producir una descarga eléctrica.



Esta señal advierte al usuario de que el manual contiene instrucciones importantes que han de leerse y seguirse al pie de la letra.



**NO MIRE DIRECTAMENTE A LA S LENTES.** Puede dañarle la vista. Las personas propensas a tener ataques epilépticos deben tener en cuenta los efectos que este efecto de luces puede tener en ellos.

Este aparato ha obtenido el certificado CE. Está prohibido hacer cambios en el aparato. Invalidaría el certificado CE y su garantía!

**NOTA:** Para asegurarse de que el aparato funcione correctamente, debe usarse en ambientes a una temperatura de entre 5°C/41°F y 35°C/95°F.



Los productos electrónicos no pueden tirarse a la basura normal. Por favor lleve este producto a un centro de reciclaje. Pregunte a la autoridad local en caso de duda. Las especificaciones son generales. Los valores actuales pueden variar de una unidad a otra. Las especificaciones pueden variar sin previo aviso.

*Nie próbuj dokonywać żadnych napraw samodzielnie, to spowoduje unieważnienie gwarancji. Gwarancja nie dotyczy uszkodzeń spowodowanych niewłaściwym użytkowaniem sprzętu, niezgodnie z instrukcją. Beamz nie jest odpowiedzialny za uszczerbek na zdrowiu oraz kontuzje spowodowane niestosowaniem się do zaleceń bezpieczeństwa. Dotyczy to wszelakich uszkodzeń.*



Leer para la puesta en marcha del láser todas las instrucciones de seguridad y los datos técnicos de este manual cuidadosamente y a fondo.



La luz láser es diferente a cualquier otra fuente de luz con la que usted puede estar familiarizado. La luz de este producto puede potencialmente causar lesiones en los ojos si no se establece y se utiliza correctamente. La luz del láser es mil veces más concentrada que la luz de cualquier otro tipo de fuente de luz. Esta concentración de poder de luz puede causar lesiones oculares instantáneas, principalmente por la quema de la retina (la parte sensible a la luz en la parte posterior del ojo). Incluso si usted no puede sentir el "calor" de un rayo láser, se puede dañar potencialmente usted o cegar a su público. Incluso pequeñas cantidades de luz láser son potencialmente peligrosas, incluso a largas distancias. Lesiones en los ojos con láser pueden suceder más rápido de lo que puede parpadear.

Es un error suponer que un solo rayo de un paquete de cientos de los rayos láseres no puede causar lesiones.

También es incorrecto suponer que es seguro mirar un rayo en movimiento. En la regulación de la seguridad del láser, no es legal para apuntar Clase 3B / 4 láseres en las áreas que la gente puede expuestas como en una pista de baile.

### Precaución:

- No apunte el láser hacia personas o animales.
- Nunca mirar en la apertura láser o láser, esto potencialmente puede causar lesiones en los ojos instantánea o ceguera si la luz láser golpea directamente a los ojos.
- No apunte el láser en áreas en las que las personas puedan quedar expuestas, como balcón, etc.
- Instale las unidades de láser de tal manera que los rayos láser se muevan por encima de la audiencia. Véase más adelante en este manual.
- Pruebe las unidades láser siempre primero antes de que el público esté presente.
- No apunte hacia el público o en superficies muy reflectantes tales como ventanas, espejos y metal brillante. Incluso los reflejos láser pueden ser peligrosos.
- Nunca apunte un láser a un avión o al cielo, esto es un delito federal.
- El uso de controles, ajustes o procedimientos distintos a los especificados aquí puede provocar una exposición peligrosa a la radiación.
- No exponga la óptica de salida (apertura) a los productos químicos de limpieza.
- Sólo se permite el funcionamiento de un láser si el espectáculo es controlado por un operador experto y bien entrenado familiarizados con los requisitos que se necesitan.
- No utilice el láser si la carcasa está dañada o abierta, o si la óptica aparece dañada de alguna manera.
- Nunca deje este aparato en funcionamiento sin vigilancia.
- Utilice siempre cables de seguridad de iluminación adecuados al colgar luces y efectos generales.

Los requisitos legales para el uso de productos de entretenimiento láser varían en cada país. El usuario es responsable de los requisitos legales en lugar / país de uso.



Esta unidad contiene componentes láser con alta potencia, las partes activas y partes que emiten radiación. Por lo tanto, no abra la carcasa, esto puede ser fatal. También puede causar ceguera, quemaduras en la piel e incendios.

**El daño ocular se produce más rápido que un puede abrir y cerrar de ojos.**

Otras directrices y programas de seguridad para el uso seguro de los láseres se pueden encontrar en la norma ANSI Z136.1 "Para un uso seguro de Láseres", disponible en "[www.laserinstitute.org](http://www.laserinstitute.org)". Muchos gobiernos locales, corporaciones, agencias, militares y otros, requieren que todos los láseres que se utilizan bajo las directrices de la norma ANSI Z136.1. Orientación Laser Display se puede obtener a través de la Asociación Internacional de visualización del laser, [www.laserist.org](http://www.laserist.org).

## INSTRUCCIONES DE DESEMBALAJE

**ATENCIÓN!** Inmediatamente después de recibir un dispositivo, desempaque cuidadosamente la caja de cartón, compruebe el contenido para asegurarse de que todas las partes están presentes, y se han recibido en buenas condiciones. Notifique inmediatamente al transportista y conserve el material de embalaje para la inspección por si aparecen daños causados por el transporte o el propio envase muestra signos de mal manejo. Guarde el paquete y todos los materiales de embalaje. En el caso de que deba ser devuelto a la fábrica, es importante que el aparato sea devuelto en la caja de la fábrica y embalaje originales.

Si el aparato ha estado expuesto a grandes cambios de temperatura (tras el transporte), no lo enchufe inmediatamente. La condensación de agua producida podría dañar su aparato. Deje el dispositivo apagado hasta que se haya alcanzado la temperatura ambiente..

## FUENTE DE ALIMENTACIÓN

En la etiqueta de la parte trasera del controlador se indica el tipo de fuente de alimentación que debe ser conectado. Compruebe que la tensión de red corresponda a esto, todos los otros voltajes a la especificada, puede causar efectos irreparable. El controlador también debe estar conectado directamente a la red para ser utilizado. No en ninguna fuente de alimentación o dimmer ajustable.



Conecte siempre el producto a un circuito protegido (disyuntor o fusible). Asegúrese de que el producto tiene una toma de tierra adecuada para evitar el riesgo de electrocución o incendio.

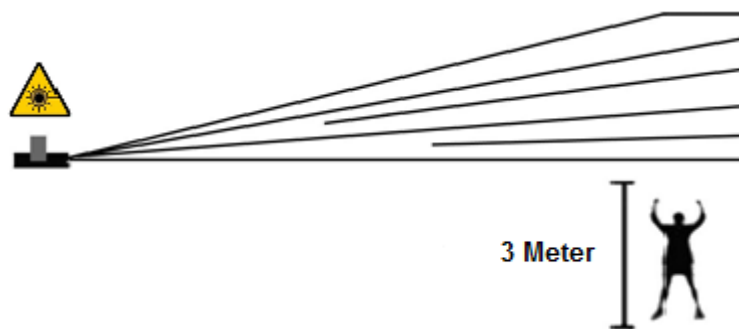
## INSTALACIÓN



**PRECAUCIÓN:** Por favor, considere las respectivas normas nacionales durante la instalación! La instalación sólo debe ser realizada por un empleado autorizado o distribuidores!



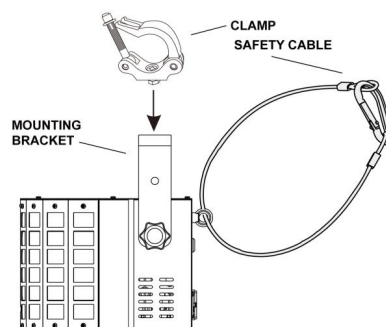
Este artefacto ha sido diseñado para ser colgado. Se recomienda por motivos de seguridad, que este efecto de iluminación esté montado adecuadamente mediante una abrazadera colgante adecuada y cable de seguridad. Los productos adecuados para el montaje seguro y eficaz se pueden obtener fácilmente de su proveedor de iluminación. Las regulaciones internacionales de seguridad láser requieren que los láseres deban funcionar de la manera se ilustra a continuación, con un mínimo de 3 metros (9,8 pies) de separación vertical entre el suelo y la luz más baja del láser vertical. Además, 2,5 metros de separación horizontal se requiere entre la luz láser y la audiencia u otros espacios públicos.



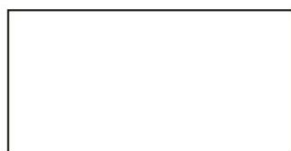
- La instalación del aparato debe ser de una manera que pueda soportar 10 veces el peso durante 1 hora sin sufrir deformaciones dañosas.
- Utilice siempre el soporte de montaje suministrado para colgar el aparato.
- El aparato debe ayudarse de un soporte de montaje (no incluido).
- La instalación siempre debe ser efectuada con un accesorio de seguridad secundario, por ejemplo, una red de anclaje adecuada. Este accesorio de seguridad secundario debe ser construido de una manera que ninguna parte de la instalación puede caer si falla el accesorio principal.
- Asegúrese de que el área por debajo del sitio de instalación está libre de personas ajenas durante el montaje, la manipulación y el mantenimiento.
- El operador tiene que asegurarse de que las instalaciones de seguridad y de máquinas son inspeccionadas por un experto antes de tener en funcionamiento por primera vez y después de los cambios antes de tomar en funcionamiento otra vez.
- El operador tiene que asegurarse de que las instalaciones de seguridad y de máquinas son inspeccionadas por un técnico una vez por año.
- El aparato debe instalarse en la posición en la que las personas no puedan llegar.



**PRECAUCIÓN:** Cuando instale el dispositivo, asegúrese de que no hay material inflamable (artículos de decoración, etc.) entre una distancia de mínimo 0,5 metros.



## PANEL DE CONTROL (DISPLAY)



MODE UP DOWN ENTER



The El panel de control ofrece varias características: puede simplemente asignar la dirección de inicio, ejecutar el programa de pre-programado o hacer un reset.

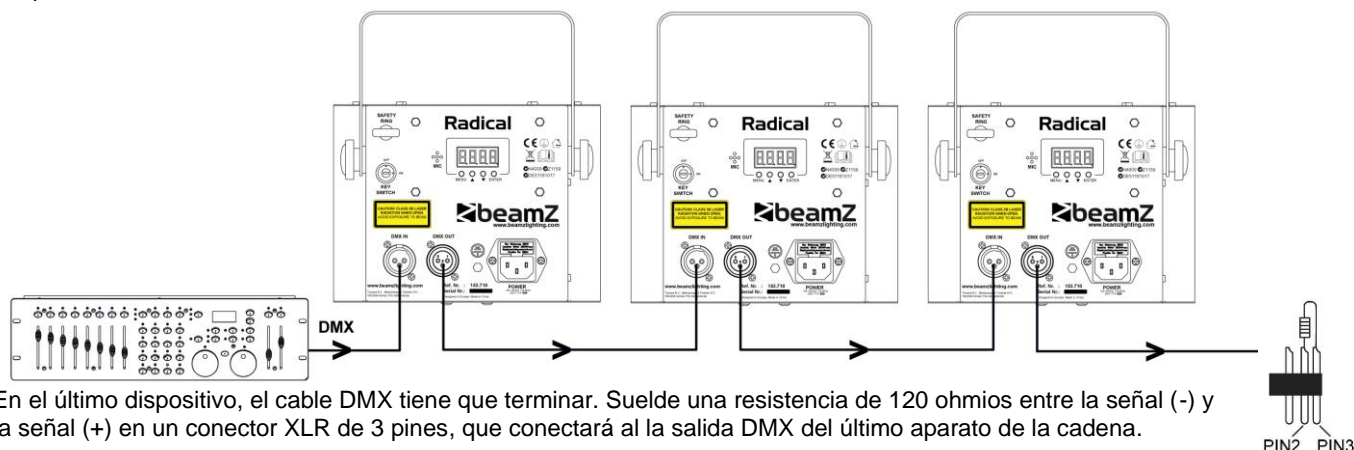
Al menú principal se accede pulsando la tecla **Modo**, se navega por el submenú pulsando arriba o abajo.

Pulse el botón **Enter** para seleccionar el menú deseado. Usted puede cambiar la selección pulsando arriba o abajo. Confirme cada selección pulsando la tecla Intro.

Puede abandonar cada modo pulsando el botón **Modo**. Las funciones previstas se describen más adelante en este manual.

## CONEXIÓN DMX-512

Si está usando un controlador DMX estándar, puede conectar la salida DMX del controlador directamente con la entrada DMX de la primera unidad de una cadena DMX. Siempre conecte la salida de una unidad con la entrada de la siguiente unidad hasta que se conectan todas las unidades. Si utiliza un controlador con conexión DMX 5 pines, deberá utilizar un adaptador de 5 pines a 3 pines.

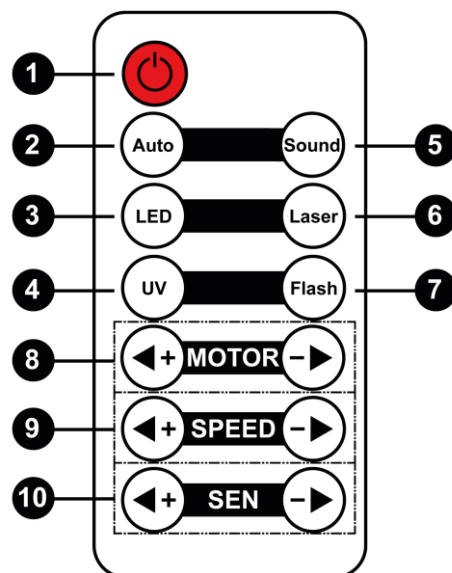


En el último dispositivo, el cable DMX tiene que terminar. Suelde una resistencia de 120 ohmios entre la señal (-) y la señal (+) en un conector XLR de 3 pines, que conectará a la salida DMX del último aparato de la cadena.

PIN2 PIN3

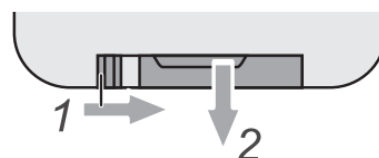
## MANDO A DISTANCIA

1. Establece la unidad en encendido o apagado
2. Pone la unidad en modo automático
3. Seleccione el color del derby
4. Luz UV encendida o apagada
5. Pone la unidad en modo de sonido
6. Configure el láser verde o rojo ON/OFF
7. LEDs estroboscópicos blancos
8. Velocidad del motor del efecto Derby
9. Establece la velocidad de cambio de color, fundido de color, sonido activo y modos estroboscópicos
10. Establece el nivel de sensibilidad del sonido - Use los botones '+' y '-' para cambiar el nivel de sensibilidad del sonido deseado (nota: solo disponible en el modo de sonido activo)



El mando a distancia se suministra con batería. Para prevenir la descarga durante el transporte, una hoja aislante esta insertada entre la batería y los contactos. Antes de poner en marcha el aparato por primera vez, retire esta hoja aislante de la parte trasera del mando. En caso contrario el mando no funcionara.

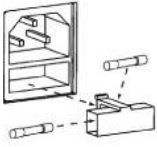
Si el rango de actuación del mando disminuye, cambie la pila por una nueva. Para hacer esto, pulse la pequeña barra de la trasera del mando y desplace a la derecha y retire la pila de su soporte (2). El mando utiliza pilas 3 V de tipo botón.



## CAMBIANDO EL FUSIBLE

Si el fusible está defectuoso, reemplace el fusible por un fusible del mismo tipo y valor. Antes de sustituir el fusible, desconectar de la corriente.

Procedimiento:



Paso 1: Abra el portafusibles del panel trasero con un destornillador adecuado.

Paso 2: Retire el fusible viejo del portafusibles.

Paso 3: Instale el fusible nuevo en el portafusibles.

Paso 4: Vuelva a colocar el portafusibles en la caja.

## LIMPIEZA

La limpieza de lentes y / o espejos internos y externos debe ser llevada a cabo periódicamente para optimizar la salida de luz. La frecuencia de limpieza depende del entorno en el que funcione el aparato: humedad, a humo o especialmente sucios rodea puede causar una mayor acumulación de polvo en las ópticas de la unidad.

- Asegúrese de que el área por debajo del sitio de instalación está libre de personas ajenas durante la reparación.
- Carcasas, fijaciones y puntos de instalación (techos, armaduras, suspensiones) deberán estar totalmente libres de ninguna deformación.
- Los cables de red deberán estar en perfecto estado y deberán reemplazarse inmediatamente cuando se detecta incluso un pequeño problema.
- Para proteger el aparato de sobrecalentamiento, los ventiladores de refrigeración (si las hubiera) y las aberturas de ventilación deberán limpiarse mensualmente.
- El interior del aparato debería ser limpiado anualmente usando una aspiradora o chorro de aire.
- Limpie con un paño suave utilizando un fluido normal de limpieza de cristales.
- Seque siempre las piezas con cuidado.
- Limpie las ópticas externas al menos cada mes. Limpie los elementos ópticos internos al menos cada 30/60 días..

**ATENCIÓN:** Se recomienda encarecidamente que la limpieza interna sea llevada a cabo por trabajador cualificado!

Nous vous remercions d'avoir acheté un appareil Beamz. Veuillez lire la présente notice avant l'utilisation afin de pouvoir en profiter pleinement.

Veuillez lire la notice avant utilisation. Respectez impérativement les instructions afin de continuer à bénéficier de la garantie. Prenez toutes les précautions nécessaires pour éviter tout incendie ou décharge électrique. Seul un technicien spécialisé peut effectuer les réparations. Nous vous conseillons de conserver la présente notice pour pouvoir vous y reporter ultérieurement.

- Avant d'utiliser l'appareil, prenez conseil auprès d'un spécialiste. Lors de la première mise sous tension, il est possible qu'une odeur soit perceptible. C'est normal, l'odeur disparaîtra peu de temps après.
- L'appareil contient des composants porteurs de tension. N'OUVREZ JAMAIS le boîtier.
- Ne placez pas des objets métalliques ou du liquide sur l'appareil, cela pourrait causer des décharges électriques et dysfonctionnements.
- Ne placez pas l'appareil à proximité de sources de chaleur, par exemple radiateur. Ne positionnez pas l'appareil sur une surface vibrante. N'obtenez pas les ouïes de ventilation.
- L'appareil n'est pas conçu pour une utilisation en continu.
- Faites attention au cordon secteur, il ne doit pas être endommagé.
- Lorsque vous débranchez l'appareil de la prise secteur, tenez-le par la prise, ne tirez jamais sur le cordon.
- Ne branchez pas et ne débranchez pas l'appareil avec les mains mouillées.
- Seul un technicien spécialisé peut remplacer la fiche secteur et / ou le cordon secteur.
- Si l'appareil est endommagé et donc les éléments internes sont visibles, ne branchez pas l'appareil, NE L'ALLUMEZ PAS. Contactez votre revendeur. NE BRANCHEZ PAS l'appareil à un rhéostat ou un dimmer.
- Pour éviter tout risque d'incendie ou de décharge électrique, n'exposez pas l'appareil à la pluie ou à l'humidité.
- Seul un technicien habilité et spécialisé peut effectuer les réparations
- Branchez l'appareil à une prise 220-240 V/50 Hz avec terre, avec un fusible 10-16 A.
- Pendant un orage ou en cas de non utilisation prolongée de l'appareil, débranchez l'appareil du secteur.
- En cas de non utilisation prolongée de l'appareil, de la condensation peut être créée. Avant de l'allumer, laissez l'appareil atteindre la température ambiante. Ne l'utilisez jamais dans des pièces humides ou en extérieur.
- Pendant le fonctionnement, le boîtier est très chaud. Ne le touchez pas pendant le fonctionnement et juste après.
- Afin d'éviter tout accident en entreprise, vous devez respecter les conseils et instructions.
- Assurez l'appareil avec une élingue de sécurité s'il doit être monté au plafond. Utilisez un système de crochets. Assurez-vous que personne ne puisse se trouver sous l'appareil. Il doit être monté à 50 cm au moins de tout matériau inflammable et à un mètre au moins de toute surface pour garantir son bon refroidissement.
- Cet appareil contient des LEDs de grande intensité. Ne regardez pas directement les LEDs pour éviter tout troubles de la vision.
- N'allumez pas et n'éteignez pas l'appareil de manière répétée. Cela réduit sa durée de vie.
- Conservez l'appareil hors de la portée des enfants. Ne laissez pas l'appareil sans surveillance.
- N'utilisez pas d'aérosols pour nettoyer les interrupteurs. Les résidus créent des dépôts et de la graisse. En cas de dysfonctionnement, demandez conseil à un spécialiste.
- Ayez toujours les mains propres pour utiliser l'appareil.
- Ne forcez pas les réglages.
- Si l'appareil est tombé, faites-le toujours vérifier par un technicien avant de le rallumer.
- Pour nettoyer l'appareil, n'utilisez pas de produits chimiques qui abîment le revêtement, utilisez uniquement un tissu sec.
- Tenez toujours l'appareil éloigné de tout équipement électrique pouvant causer des interférences.
- Pour toute réparation, il faut impérativement utiliser des pièces d'origine, sinon il y a risque de dommages graves et / ou de radiations dangereuses.
- Eteignez toujours l'appareil avant de le débrancher du secteur et de tout autre appareil. Débranchez tous les cordons avant de déplacer l'appareil.
- Assurez-vous que le cordon secteur n'est pas abîmé si des personnes viennent à marcher dessus. Avant toute utilisation, vérifiez son état.
- La tension d'alimentation est de 220-240 V~/50 Hz. Vérifiez la compatibilité. Si vous voyagez, vérifiez que la tension d'alimentation du pays est compatible avec l'appareil.
- Conservez l'emballage d'origine pour pouvoir transporter l'appareil en toute sécurité.



CE symbole doit attirer l'attention de l'utilisateur sur les tensions élevées présentes dans le boîtier de l'appareil, pouvant engendrer une décharge électrique.



CE symbole doit attirer l'attention de l'utilisateur sur des instructions importantes détaillées dans la notice, elles doivent être lues et respectées.



**NE REGARDEZ PAS DIRECTEMENT LA LENTILLE.** Cela peut créer des troubles de la vision. Les personnes photosensibles et épileptiques doivent prendre en compte les effets que ce jeu de lumière peut causer.

Cet appareil porte le symbole CE. Il est interdit d'effectuer toute modification sur l'appareil. La certification CE et la garantie deviendraient caduques !

**NOTE:** Pour un fonctionnement normal de l'appareil, il doit être utilisé en intérieur avec une plage de température maximale autorisée entre 5°C/41°F et 35°C/95°F.



Ne jetez pas les produits électriques dans la poubelle domestique. Déposez-les dans une déchetterie. Demandez conseil aux autorités locales ou à votre revendeur. Données spécifiques. Les valeurs actuelles peuvent légèrement varier d'un appareil à l'autre. Tout droit de modification réservé sans notification préalable.

*N'essayez pas de réparer l'appareil vous-même. Vous perdriez tout droit à la garantie. Ne faites aucune modification sur l'appareil. Vous perdriez tout droit à la garantie. La garantie deviendrait également caduque en cas d'accidents ou dommages causés par une utilisation inappropriée de l'appareil ou un non respect des consignes présentes dans cette notice. Beamz ne pourrait être tenu responsable en cas de dommages matériels ou corporels causés par un non respect des consignes de sécurité et avertissements. Cela est également valable pour tous les dommages quelle que soit la forme.*

## DEBALLAGE SECURITE LASER



Lisez impérativement les avertissements suivants sur la sécurité des lasers et les caractéristiques techniques.



La lumière des lasers est différente de toute autre source de lumière qui vous est familière. La lumière générée par cet appareil peut causer des dommages oculaires si l'appareil n'est pas correctement installé et utilisé. La lumière d'un laser est des milliers de fois plus concentrée que la lumière produite par toute autre source. Cette concentration de puissance peut causer de manière instantanée des blessures des yeux en brûlant la rétine. Si vous ne pouvez pas sentir la "chaleur" d'un faisceau laser, il peut cependant causer des blessures ou aveugler le public. Même de petites quantités de lumière laser sont potentiellement dangereuses à de grandes distances. Les blessures causées par des lasers peuvent survenir plus vite qu'un simple clignement des yeux.

Il est faux de croire qu'un rayon individuel venant d'une centaine de rayons laser, n'est pas dangereux pour les yeux.

Il est faux de croire que regarder un faisceau mobile n'est pas dangereux. Dans les réglementations en vigueur sur la sécurité des lasers, il est interdit de diriger les lasers de classe 3B/4 dans des zones où des personnes peuvent être exposées, par exemple sur une piste de danse.

### Attention :

- Ne pointez pas de faisceau laser vers les hommes ou animaux. Ne regardez pas dans l'ouverture du laser ou les rayons laser, cela peut causer des blessures instantanées ou une cécité si la lumière laser touche directement les yeux.
- Ne pointez pas les faisceaux laser dans des zones où des personnes peuvent être exposées.
- Installez le laser de telle sorte que les faisceaux se déplacent au-dessus du public. Voir point spécifique dans la notice.
- Testez toujours le laser avant l'utilisation et hors de présence du public.
- Ne pointez pas les faisceaux laser vers des surfaces réfléchissantes telles que fenêtres, miroirs, pièces métalliques. Même des réflexions de faisceau laser sont dangereuses.
- Ne pointez pas de faisceau laser vers un avion, c'est illégal et passible de sanctions.
- L'utilisation des réglages ou les performances autres que ceux définis dans la notice peuvent engendrer une exposition dangereuse aux rayonnements.
- N'exposez pas l'ouverture du laser à des produits chimiques de nettoyage.
- Le fonctionnement du laser n'est autorisé que si le show est contrôlé par un technicien formé, compétent et connaissant les réglementations.
- N'utilisez pas le laser si le boîtier est endommagé ou ouvert ou si l'optique semble endommagée.
- Ne laissez pas l'appareil fonctionner sans surveillance.
- Utilisez toujours des élingues adaptées lorsque l'appareil est suspendu

La législation sur l'utilisation de lasers de loisirs varie selon les pays. L'utilisateur est responsable vis à vis des réglementations en vigueur dans le pays d'utilisation.



Cet appareil contient des composants laser de grande puissance et des éléments émettant des rayonnements. Donc, N'OUVREZ PAS le boîtier, CELA PEUT ETRE FATAL. Cela peut également causer une cécité, des brûlures de la peau et des incendies.

### **Les blessures causées par des lasers peuvent survenir plus vite qu'un simple clignement des yeux.**

Vous trouverez d'autres réglementations et programmes de sécurité sur l'utilisation des lasers sur le site [www.Laserinstitute.org](http://www.Laserinstitute.org) dans la réglementation ANSI Z136.1 Standard "For Safe Use of Lasers". De nombreux gouvernements, agences, organismes militaires ou autres imposent que les lasers soient utilisés selon les directives de l'ANSI Z136.1. Vous pouvez obtenir le guide d'utilisation des lasers "Laser Display guidance" via l'International Laser Display Association, [www.laserist.org](http://www.laserist.org).

## DEBALLAGE

**ATTENTION !** Immédiatement après réception, vérifiez le contenu du carton et assurez-vous que tous les éléments sont bien présents et en bon état. Si besoin, faites les réserves nécessaires si le matériel ou les cartons sont endommagés. Si l'appareil doit être retourné, faites-le dans l'emballage d'origine.

Si l'appareil a été exposé à des fluctuations importantes de températures (par exemple après le transport), ne l'allumez pas immédiatement. De la condensation peut survenir. Laissez l'appareil éteint le temps qu'il atteigne la température ambiante.

## ALIMENTATION

Vous trouvez sur l'étiquette à l'arrière de l'appareil, le type d'alimentation à utiliser. Vérifiez que la tension d'alimentation corresponde à celle mentionnée. Toute autre alimentation peut endommager l'appareil. Reliez l'appareil au secteur, il est prêt à être utilisé. En aucun cas, vous ne devez utiliser de dimmer ou d'alimentation réglable.



Connectez toujours l'appareil à un circuit protégé (disjoncteur ou fusible). Assurez-vous que l'appareil soit correctement relié à la terre afin d'éviter tout risque d'électrocution ou d'incendie

## INSTALLATION

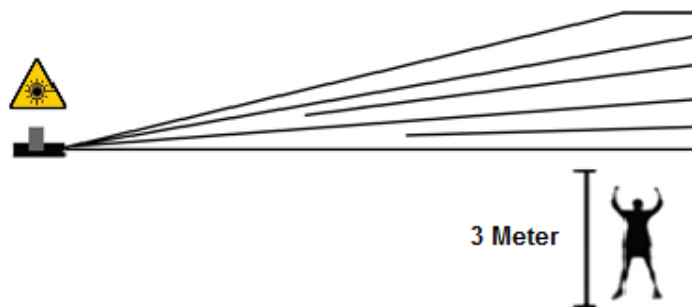


**ATTENTION :** Lors de l'installation, tenez compte des normes nationales respectives ! Seuls des revendeurs et installateurs habilités peuvent procéder à l'installation.



Cet appareil est prévu pour être suspendu. Pour des raisons évidentes de sécurité, il faut utiliser, pour un montage correct, une élingue de sécurité et un crochet. N'hésitez pas à contacter votre revendeur pour acquérir les différents accessoires de montage indispensables.

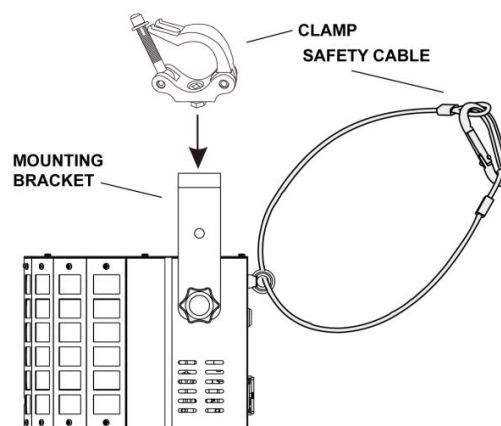
La législation internationale en matière de lasers, exige que les lasers soient utilisés avec une distance minimale de 3 mètres entre le sol et le faisceau laser le plus bas. Voir dessin ci-dessous. De plus, une séparation horizontale de 2,5 m est nécessaires entre le faisceau laser et le public ou tout autre espace public.



- L'installation de l'appareil doit être pensée et réalisée de telle sorte que le support de fixation puisse supporter 10 fois le poids de l'appareil pendant une heure sans aucune déformation.
- Utilisez toujours l'étrier livré pour suspendre l'appareil.
- L'appareil doit être soutenu par un étrier de montage (non livré) en plus de l'étrier livré.
- L'installation doit toujours être assurée par un second système de fixation, par exemple un filet ou une élingue. Ce second système doit être conçu de telle sorte que aucun élément de l'installation ne puisse tomber si la fixation principale venait à rompre.
- Assurez-vous que la zone sous l'emplacement de montage ne puisse pas accueillir de public pendant le montage, le démontage et l'utilisation.
- Le responsable du fonctionnement doit faire approuver par un expert les conditions d'installation et d'utilisation de l'appareil avant la première mise en service et après tout changement.
- Le responsable du fonctionnement doit faire approuver par un expert les conditions d'installation et d'utilisation de l'appareil, une fois par an.
- L'appareil doit être installé de telle sorte que personne ne puisse l'atteindre, passer dessous ou être assis.

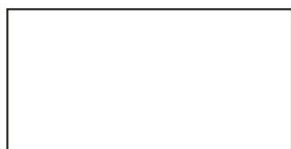


**ATTENTION :** Lorsque vous installez l'appareil, assurez-vous qu'il n'y a aucun matériau fortement inflammable (décorations par exemple) à 5 mètres au moins de l'appareil.





## AFFICHAGE



MODE UP DOWN ENTER



Le panneau de commande vous permet d'effectuer différents réglages : réglage de l'adresse de démarrage, gestion d'un programme pré-programmé, lancer un Reset. Le menu principal est accessible en appuyant sur la touche **Mode**, vous pouvez naviguer dans le sous-menu avec la touche **Up** ou **Down**.

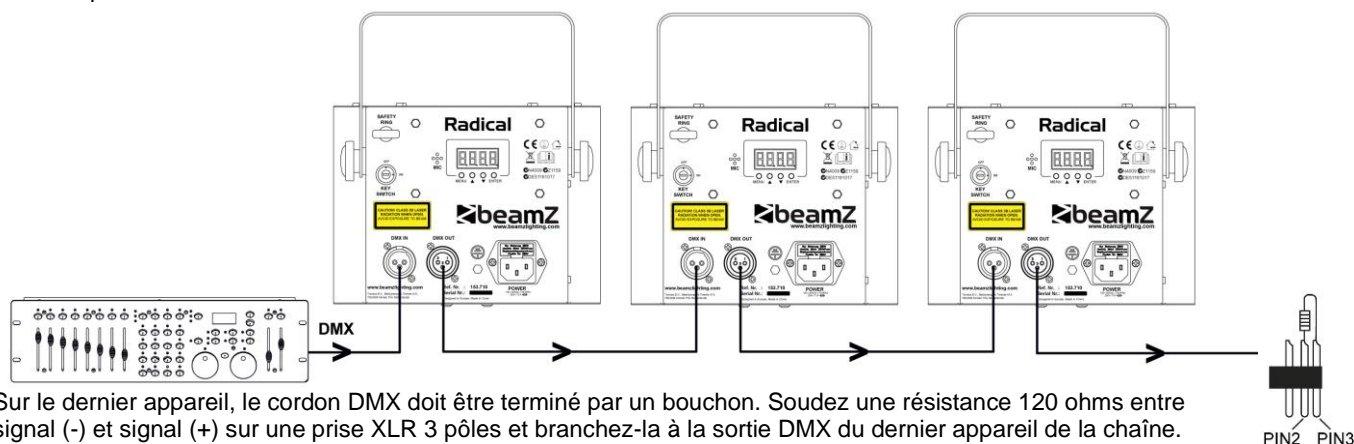
Appuyez sur la touche **Enter** pour choisir le menu souhaité.

Vous pouvez modifier la sélection en appuyant sur la touche **Up** ou **Down**. Confirmez la sélection en appuyant sur la touche **Enter**.

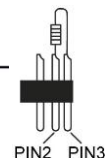
Vous pouvez quitter un mode en appuyant sur la touche **Mode**. Les fonctions fournies sont décrits plus loin dans ce manuel.

## BRANCHEMENT DMX-512

Si vous utilisez un contrôleur DMX classique, vous pouvez relier la sortie DMX du contrôleur directement à l'entrée DMX du premier appareil dans une chaîne DMX. Reliez toujours la sortie d'un appareil à l'entrée de l'appareil suivant jusqu'à ce que tous les appareils soient reliés. Si vous utilisez un contrôleur avec connexion DMX 5 pôles, vous devez utiliser un adaptateur 5 pôles / 3 pôles.

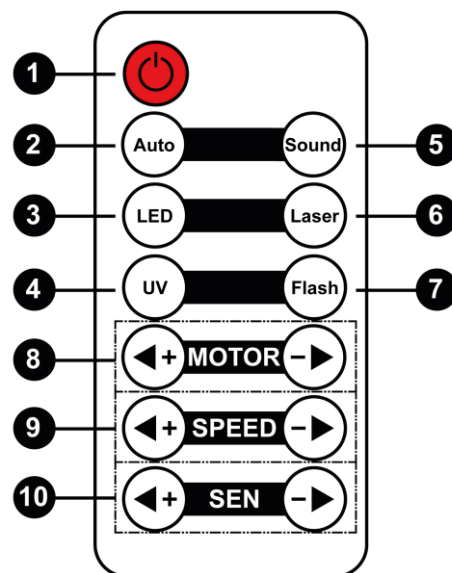


Sur le dernier appareil, le cordon DMX doit être terminé par un bouchon. Soudez une résistance 120 ohms entre signal (-) et signal (+) sur une prise XLR 3 pôles et branchez-la à la sortie DMX du dernier appareil de la chaîne.



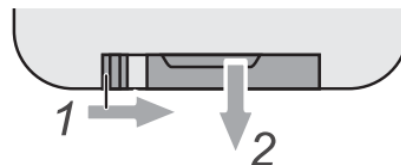
## TELECOMMANDE

11. Pour allumer ou éteindre l'appareil
12. Pour mettre l'appareil en mode Auto
13. Pour sélectionner la couleur du derby
14. Pour allumer ou éteindre la lumière UV
15. Pour commuter l'appareil sur le mode Audio
16. Pour activer le laser rouge ou vert
17. LEDs blanches du strobe
18. Pour régler la vitesse du moteur de l'effet derby
19. Pour régler la vitesse du changement de couleur, la transition des couleurs, les modes audio et strobe
20. Pour régler le niveau de la sensibilité audio ; utilisez les touches "+" et "-" pour modifier le niveau de la sensibilité (remarque : uniquement disponible en mode Audio)



La télécommande est livrée avec une batterie. Une feuille de protection placée entre la batterie et les contacts évite que la batterie ne se décharge pendant le stockage. Avant la première utilisation, retirez la feuille de protection du support de batterie sur la face arrière de la télécommande. Sinon, la télécommande ne peut pas fonctionner.

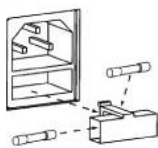
Si la portée de la télécommande diminue, remplacez la batterie. Sur la face arrière de la télécommande, appuyez sur la petite languette avec la fente vers la droite (1) et simultanément, retirez le support de batterie (2). Une pile bouton 3 V, type CR2025 est nécessaire. Veillez à respecter la polarité, pôle plus de la pile bouton vers le haut.



## REPLACEMENT DU FUSIBLE

Si le fusible est défectueux, il faut le remplacer par un fusible de même type et de même valeur. Avant de le remplacer, veillez à débrancher l'appareil.

Procédure:



Etape 1: Ouvrez le porte-fusible sur le panneau arrière avec un petit tournevis.

Etape 2: Retirez l'ancien fusible.

Etape 3: Placez le nouveau fusible dans le porte-fusible.

Etape 4: Remettez le porte-fusible dans le boîtier.

## NETTOYAGE

Le nettoyage des lentilles optiques internes et externes et / ou miroirs doit être fait régulièrement pour un rendu lumineux optimal. La fréquence de nettoyage dépend de l'environnement d'utilisation : de la poussière, fumée ou un environnement très sale peuvent générer une accumulation importante de salissures sur les optiques.

- Assurez-vous que personne ne se trouve sous l'emplacement d'installation pendant le nettoyage.
- Les boîtiers, fixations et éléments d'installation (plafond, structures, suspensions) ne doivent présenter aucune déformation.
- Le cordon secteur ne doit pas présenter de dommage ; si un problème est détecté, il doit être immédiatement être remplacé.
- Pour protéger l'appareil de toute surchauffe, les ventilateurs et ouïes d'aération doivent être nettoyés tous les mois.
- L'intérieur de l'appareil doit être nettoyé tous les ans avec un compresseur.
- Pour le nettoyage, utilisez un tissu doux et du liquide de nettoyage pour vitres usuel.
- Séchez correctement tous les éléments.
- Nettoyez les optiques externes tous les mois au moins. Nettoyez les optiques internes tous les 30 à 60 jours au moins.

**ATTENTION** : Nous recommandons fortement que le nettoyage intérieur soit fait par un technicien qualifié.

Gratulujemy zakupu urządzenia marki BeamZ. Proszę o przeczytanie instrukcji przed użyciem urządzenia, aby jak najlepiej móc wykorzystać jego możliwości.

Przeczytaj tę instrukcję przed pierwszym użyciem urządzenia. Postępuj zgodnie z instrukcją, aby nie utracić gwarancji. Zwróć uwagę na wszystkie ostrzeżenia, aby uniknąć pożaru lub/ oraz porażenia prądem. Naprawy mogą być przeprowadzane jedynie przez autoryzowany serwis. Zatrzymaj tę instrukcję na wypadek potrzeby w przyszłości.

- Przed użyciem skonsultuj się ze specjalistą. Podczas pierwszego użycia urządzenie może wydzielić specyficzny zapach. To zupełnie normalne, zniknie po chwili.
- Urządzenie posiada podzespoły przewodzące prąd. Nie otwieraj obudowy urządzenia.
- Nie umieszczaj metalowych obiektów ani płynów w urządzeniu. Może to spowodować porażenie prądem lub uszkodzenie sprzętu.
- Nie umieszczaj w pobliżu takich źródeł ciepła jak grzejnik itd. Nie umieszczaj urządzenia na wibrującej powierzchni. Nie zasłaniaj kanałów wentylacyjnych.
- Urządzenie nie jest przeznaczone do ciągłej pracy.
- Pamiętaj, aby nie uszkodzić przewodu zasilającego. Uszkodzony przewód zasilający może spowodować porażenie prądem lub uszkodzenie sprzętu.
- Podczas wyjmowania wtyczki z gniazdka zawsze ciągnij za wtyczkę, nie za kabel.
- Nie wtykaj kabla mając mokre dłonie.
- Jeśli wtyczka lub/ oraz kabel zasilający jest uszkodzony, musi być wymieniony przez wykwalifikowaną osobę.
- Jeśli urządzenie jest uszkodzone na tyle, że widoczne są części wewnętrzne, nie podłączaj sprzętu do gniazdka, ani go nie uruchamiaj. Skontaktuj się z dystrybutorem. Nie podłączaj urządzenia do opornika bądź dimmera.
- Aby uniknąć porażenia prądem, nie wystawiaj urządzenia na działanie warunków atmosferycznych ani na wilgoć.
- Sprzęt może być naprawiany tylko w autoryzowanym serwisie.
- Podłączaj urządzenie do uziemionego źródła zasilania (220-240Vac/50Hz) z bezpiecznikiem 10-16A.
- Podczas burzy lub w sytuacjach, gdy urządzenie nie jest używane przez dłuższy czas, odłącz je od gniazdka. Zasada brzmi: odłącz sprzęt od gniazdka, gdy go nie używasz.
- Jeśli urządzenie nie było używane przez dłuższy czas, może wystąpić kondensacja. Pozwól na to, aby sprzęt osiągnął temperaturę pokojową. Nigdy nie używaj w wilgotnych pomieszczeniach, bądź na zewnątrz.
- Podczas użytkowania znacznie wzrasta temperatura obudowy. Nie dotykaj jej w czasie pracy, bądź natychmiast po wyłączeniu urządzenia.
- Aby uniknąć wypadków w pracy, wykonuj polecenia zawarte w tej instrukcji.
- Zabezpiecz urządzenie dodatkowym łańcuchem bezpieczeństwa. Używaj wysokiej jakości haków. Upewnij się, że nikt nie stoi w pobliżu okolicy montażu. Montuj sprzęt w odległości co najmniej 50cm od materiałów łatwopalnych i zachowuj co najmniej 1m wolnej przestrzeni z każdej strony, aby zapewnić odpowiednie chłodzenie
- Urządzenie posiada diody LED wysokiej mocy. Nie patrz bezpośrednio na diody, aby nie uszkodzić wzroku.
- Nie włączaj i wyłączaj urządzenia co chwilę. Skraca to jego żywotność.
- Trzymaj z dala od dzieci. Nie zostawiaj sprzętu bez opieki.
- Nie używaj spray'ów do czyszczenia przełączników. To powoduje osiadanie się kurzu oraz tłuszczu. W przypadku usterki zasięgnij rady u specjalisty. Obsługuj urządzenie mając czyste ręce.
- Nie naciskaj przycisków z zbyt dużą siłą.
- Jeśli urządzenie upadnie, przed kolejnym włączeniem zawsze musi być sprawdzone przez wykwalifikowanego technika.
- Nie używaj chemikaliów do czyszczenia obudowy. Niszczą one lakier. Dokonuj czyszczenia za pomocą suchej szmatki.
- Trzymaj z dala od innej elektroniki, która może spowodować zakłócenia.
- Podczas serwisu używaj tylko oryginalnych części. W innym przypadku może nastąpić poważne uszkodzenie sprzętu, lub niebezpieczne promieniowanie.
- Wyłącz urządzenie przed wyciągnięciem kabla zasilającego. Odłącz wszystkie kable przed przenoszeniem sprzętu.
- Upewnij się, że nikt nie uszkodzi kabla zasilającego. Sprawdź przed każdym użyciem, czy kabel zasilający nie nosi znamion uszkodzenia.
- Urządzenie może pracować przy napięciu 220-240Vac/50Hz. Jeśli podróżujesz ze sprzętem, sprawdź, czy możesz je bezpiecznie podłączyć do prądu.
- Zachowaj oryginalny karton, aby móc transportować urządzenie w bezpiecznych warunkach.



Ten znak zwraca uwagę użytkownika na wysokie napięcie, które jest obecne w środku obudowy urządzenia. Napięcie jest wystarczające, aby porazić użytkownika.



Ten znak zwraca uwagę użytkownika do ważnych informacji, które znajdują się w instrukcji. Informacje te powinny być przeczytane oraz uwzględnione w codziennym użytkowaniu.



**NIE PATRZ BEZPOŚREDNIO NA SOCZEWKĘ.** Może to spowodować uszkodzenie wzroku. Stroboskop może spowodować atak epilepsji!

Urządzenie posiada certyfikat CE. **Nie wolno** wprowadzać żadnych zmian w urządzeniu. Każda modyfikacja sprzętu spowoduje utratę certyfikatu CE oraz gwarancji!

**UWAGA:** Urządzenie może funkcjonować w pomieszczeniach o temperaturze pomiędzy 5°C/41°F oraz 35°C/95°F.



**WAŻNA INFORMACJA:** Urządzenia elektryczne muszą być składowane w miejscach do tego przeznaczonych. Sprawdź, gdzie w Twojej okolicy znajduje się najbliższe centrum recyklingu. Specyfikacja techniczna poszczególnych urządzeniach może się nieznacznie różnić. Specyfikacja może ulec zmian bez powiadomień.

*Nie próbuj dokonywać żadnych napraw samodzielnie, to spowoduje unieważnienie gwarancji. Gwarancja nie dotyczy uszkodzeń spowodowanych niewłaściwym użytkowaniem sprzętu, niezgodnie z instrukcją. Beamz nie jest odpowiedzialny za uszczerbek na zdrowiu oraz kontuzje spowodowane niestosowaniem się do zaleceń bezpieczeństwa. Dotyczy to wszelakich uszkodzeń.*

## UWAGA! URZĄDZENIE LASEROWE



Read for the commissioning of the laser all safety instructions and technical data of this manual carefully and thoroughly.



Światło laserowe jest inne niż wszystkie Ci znane źródła światła. Jego promieniowanie może potencjalnie uszkodzić Twój wzrok, jeśli nie będzie poprawnie ustawione oraz użytkowane. Światło laserowe jest tysiące razy bardziej skupione niż jakiegokolwiek inne źródło światła. Skupiona wiązka laserowa może spowodować natychmiastowe uszkodzenie oczu, przede wszystkim wypalając siatkówkę (czuła na światło tylna część oka). Nawet jeśli nie czujesz żadnego ciepła z powodu wiązki laserowej, ona nadal może wyrządzić poważne szkody Twoim oczom, oślepić Cię lub publiczność. Nawet niewielka ilość światła laserowego na dużym dystansie jest niebezpieczna. Uszkodzenie wzroku może nastąpić w mgnieniu oka.

Nie można zakładać, że pojedyncza wiązka spośród setek wiązek nie może źle wpłynąć na oczy.

Nie można także zakładać, że można patrzeć na ruszającą się wiązkę. W odpowiednich regulacjach prawnych dotyczących laserów, zabronione jest celowanie laserem klasy 3B/4 w miejsce, w których ludzie mogą być narażeni na jego promieniowanie.

### Ostrzeżenie:

- Nie celuj laserem w ludzi ani w zwierzęta.
- Nigdy nie patrz wprost w aparaturę laserową lub w wiązkę laserową. Może to uszkodzić Twój wzrok lub spowodować zupełną ślepotę.
- Nie celuj laserem w miejsce, w którym może on natrafić na ludzi, np. parkiety.
- Zainstaluj urządzenie laserowe, tak aby wiązka poruszała się nad widownią. Zerknij do następnej sekcji tej instrukcji obsługi.
- Sprawdź urządzenie laserowe przed pierwszym publicznym użyciem.
- Nie celuj laserem w publiczność albo miejsca odbijające światło, takie jak okna, lustra lub błyszczące metale. Nawet odbita wiązka laserowa może być niebezpieczna.
- Nigdy nie celuj w samolot/pilota, to wykroczenie/ przestępstwo.
- Używanie sprzętu, jego ustawień w inny sposób niż specyfikowano tutaj może spowodować narażenie na niebezpieczne promieniowanie.
- Nie wystawiaj aparatury optycznej na działanie środków chemicznych.
- Użytkowanie laser jest dozwolone tylko, jeśli pokaz jest kontrolowany przez wykwalifikowanego operatora, zaznajomionego z odpowiednimi wymaganiami.
- Nie używaj lasera, jeśli obudowa jest uszkodzona, otwarta lub jeśli optyka wygląda na uszkodzoną.
- Nigdy nie zostawiaj urządzenia działającego bez opieki.
- Zawsze używaj odpowiednich linek bezpieczeństwa podczas wieszania urządzenia nad głową.

Lokalne regulacje dotyczące użytkowania laserów zależy od kraju. Użytkownik jest odpowiedzialny za użytkowanie urządzenia w danym państwie.



To urządzenie zawiera laser wysokiej mocy oraz części, które emitują promieniowanie. NIE OTWIERAJ obudowy, TO MOŻE BYĆ FATALNE W SKUTKACH. Może to także spowodować ślepotę, poparzenia skóry oraz pożary.

### Uszkodzenie wzroku może nastąpić w mgnieniu oka!

Dalsze instrukcje oraz programy bezpieczeństwa dotyczące bezpiecznego użytkowania laserów są dostępne w dokumencie ANSI Z136.1 Standard „For Safe Use of Lasers”, dostępny na [www.laserinstitute.org](http://www.laserinstitute.org). Wiele lokalnych władz, korporacji, agencji, instytucji wojskowych wymaga, aby użytkowanie laserów następowało według instrukcji z ANSI Z136.1. Poradniki dotyczące urządzeń laserowych mogą być pobrane ze strony International Laser Display Association, [www.laserist.org](http://www.laserist.org).

## INSTRUKCJA ROZPAKOWYWANIA

**OSTRZEŻENIE!** Natychmiast po odbiorze urządzenia, ostrożnie otwórz karton ochronny, oraz sprawdź zawartość i stan techniczny przedmiotu. Niezwłocznie powiadom kuriera oraz zachowaj opakowanie zewnętrzne do kontroli, jeśli jakiegokolwiek element zawartości wygląda na zniszczony w transporcie lub nosi objawy złego traktowania paczki. W takim wypadku należy niezwłocznie odesłać sprzęt do producenta. Sprzęt należy wysłać w oryginalnym opakowaniu.

Jeśli urządzenie było wystawione na działanie niskich temperatur (np. podczas transportu), nie uruchamiaj go od razu. Powstające zjawisko kondensacji wody może uszkodzić urządzenie. Pozostaw urządzenie wyłączone, dopóki nie osiągnie temperatury pokojowej.

## ZASILANIE

Na naklejce z tyłu urządzenia znajduje się oznaczenie dotyczące rodzaju zasilania. Sprawdź, czy napięcie w gniazdku zgadza się z wymaganym przez producenta. Złe napięcie może spowodować nienaprawialne uszkodzenie urządzenia.



Zawsze podłączaj urządzenie do zabezpieczonego obwodu elektrycznego (za pomocą bezpiecznika lub wyłącznika instalacyjnego). Upewnij się, że urządzenie jest uziemione, aby uniknąć pożaru lub śmiertelnego porażenia prądem.

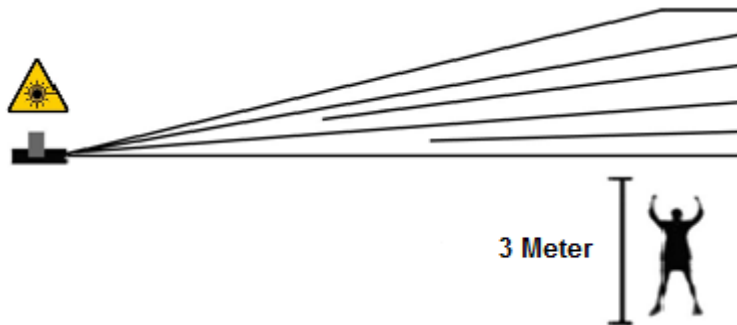
## INSTALACJA



**CAUTION:** Respektuj krajowe normy podczas instalacji urządzenia!  
Instalacja może być przeprowadzona tylko przez wykwalifikowanego pracownika, bądź dealera.



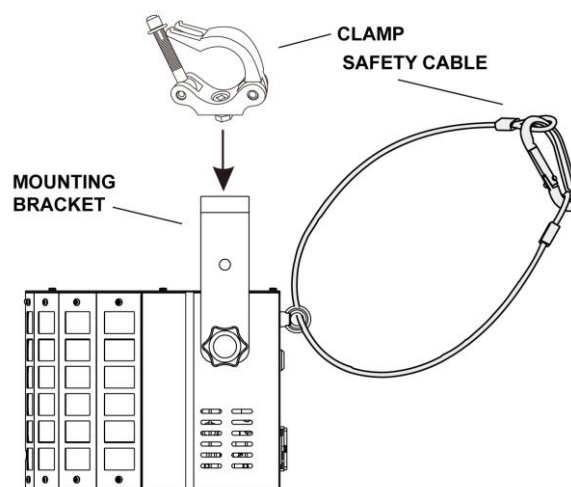
Urządzenie zostało zaprojektowane do pozycji wiszącej. W celu bezpieczeństwa rekomenduje się używania dedykowanych haków oraz linek bezpieczeństwa. Tego typu akcesoria możesz nabyć u Twojego sprzedawcy. Międzynarodowe regulacje dotyczące użytkowania laserów wymagają wieszania urządzeń w taki sam sposób, jak na załączonym obrazku. Minimum 3m przestrzeni pomiędzy podłogą, a najniższą wysokością świecenia lasera w poziomie. Dodatkowo wymagana jest odległość co najmniej 2,5m pomiędzy urządzeniem, a publicznością lub przestrzenią publiczną.



- L'installation de l'appareil doit être pensée et réalisée de telle sorte que le support de fixation puisse supporter 10 fois le poids de l'appareil pendant une heure sans aucune déformation.
- Utilisez toujours l'étrier livré pour suspendre l'appareil.
- L'appareil doit être soutenu par un étrier de montage (non livré) en plus de l'étrier livré.
- L'installation doit toujours être assurée par un second système de fixation, par exemple un filet ou une élingue. Ce second système doit être conçu de telle sorte que aucun élément de l'installation ne puisse tomber si la fixation principale venait à rompre.
- Assurez-vous que la zone sous l'emplacement de montage ne puisse pas accueillir de public pendant le montage, le démontage et l'utilisation.
- Le responsable du fonctionnement doit faire approuver par un expert les conditions d'installation et d'utilisation de l'appareil avant la première mise en service et après tout changement.
- Le responsable du fonctionnement doit faire approuver par un expert les conditions d'installation et d'utilisation de l'appareil, une fois par an.
- L'appareil doit être installé de telle sorte que personne ne puisse l'atteindre, passer dessous ou être assis.



**UWAGA:** Podczas instalacji urządzenia upewnij się, że w pobliżu (0,5m od urządzenia) nie znajdują się materiały łatwopalne (np. dekoracje).



## WYŚWIETLACZ



MODE UP DOWN ENTER



Panel sterowania oferuje kilka funkcjonalności: możesz łatwo ustawić adresowanie DMX, włączyć gotowe programy lub zresetować urządzenie. Menu główne jest dostępne po naciśnięciu przycisku **Mode**. Możesz się poruszać w menu za pomocą przycisków **Up** oraz **Down**.

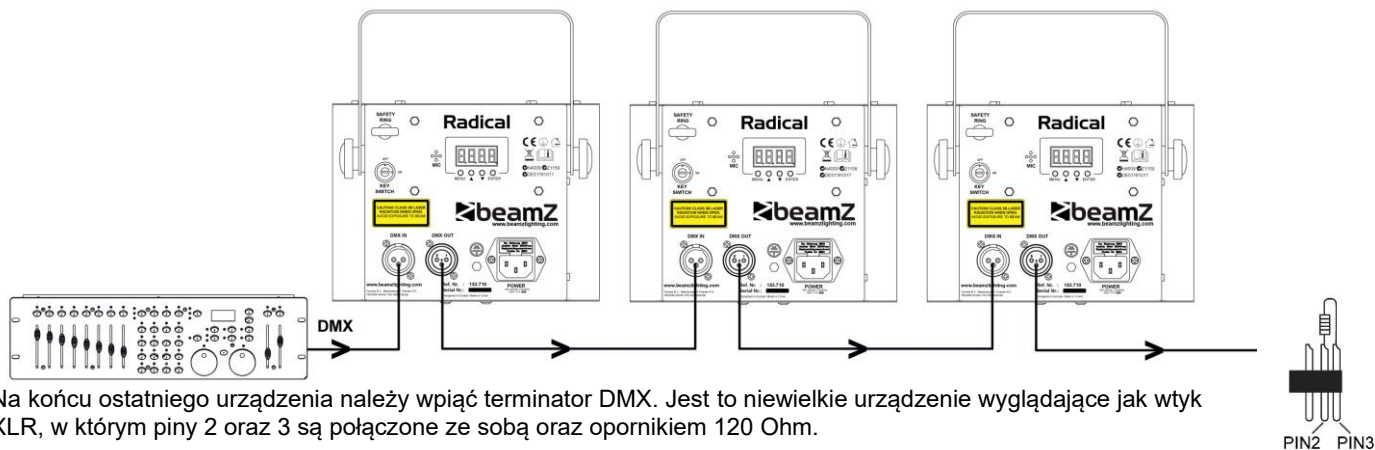
Naciśnij **Enter**, aby wybrać pożądany tryb.

Możesz zmienić wybór naciskając **Up** oraz **Down**. Potwierdź każdorazowo nowy wybór naciskając **Enter**.

Możesz opuścić tryb naciskając **Mode**. Funkcje urządzenia są opisane w dalszej części instrukcji.

## POŁĄCZENIE DMX512

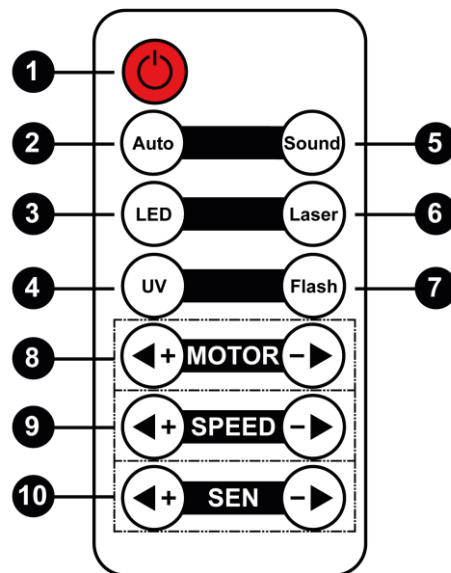
Jeśli używasz standardowego sterownika DMX, możesz podłączyć go kablem DMX do pierwszego urządzenia zgodnego ze standardem DMX w łańcuchu. Podłączaj kolejne urządzenia zgodnie ze schematem zamieszczonym poniżej. Jeśli korzystasz ze sterownika wyposażonego w 5-pinowe gniazdo DMX, będziesz potrzebował odpowiedniego adaptera.



Na końcu ostatniego urządzenia należy wpiąć terminator DMX. Jest to niewielkie urządzenie wyglądające jak wtyk XLR, w którym piny 2 oraz 3 są połączone ze sobą oraz opornikiem 120 Ohm.

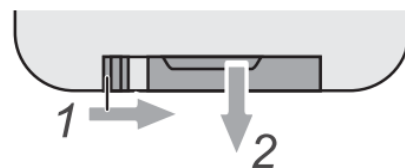
## PILOT ZDALNEGO STEROWANIA

1. Włączenie/wyłączenie urządzenia
2. Tryb pracy: automatyczny
3. Ustawienie koloru efektu derby
4. Włączenie/wyłączenie światła UV
5. Tryb pracy: muzyczny
6. Włączenie zielonego lub czerwonego lasera
7. Stroboskop
8. Szybkość ruchu silnika derby
9. Szybkość zmiany kolorów, wygaszania kolorów, trybu dźwiękowego oraz trybów stroboskopowych.
10. Ustawienie czułości mikrofonu (działa tylko w trybie muzycznym)



Pilot zdalnego sterowania jest dostarczany wraz z baterią. Aby uniknąć rozładowywania baterii podczas magazynowania sprzętu, pomiędzy baterią a stykami pilota znajduje się folia. Przed pierwszym użyciem należy wyciągnąć folię znajdującą się na dole pilota.

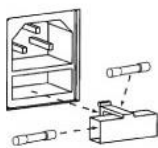
Jeśli zasięg działania pilota spada, wymień baterię. W tym celu, z tyłu urządzenia, przesun w prawo mały plastik (1) oraz w tym czasie wyciągnij tackę baterii (2). Do używania pilota wymagana jest jedna bateria CR 2025 3V. Podczas wkładania baterii <+> powinien być na górze.



## WYMIANA BEZPIECZNIKA

Jeśli bezpiecznik jest niesprawny, wymień go na nowy egzemplarz tego samego typu i wartości. Przed wymianą bezpiecznika wyciągnij kabel zasilający z gniazda.

Instrukcja:



Krok 1: Otwórz śrubokrętem zasłonkę bezpiecznika na tylnym panelu.

Krok 2: Wyciągnij bezpiecznik.

Krok 3: Włóż nowy bezpiecznik w obudowę.

Krok 4: Zasłoń obudowę bezpiecznika oryginalnym plastikiem.

## CZYSZCZENIE URZĄDZENIA

Czyszczenie wewnętrznej oraz zewnętrznej soczewki oraz/lub lusterek musi być przeprowadzane systematycznie, aby zapewnić najlepszą moc świecenia. Częstotliwość konserwacji zależy od środowiska, w jakim urządzenie jest użytkowane: wilgoć, dym oraz kurz mogą spowodować akumulację nieczystości na optykach.

- Upewnij się, że przestrzeń pod instalacją jest wolna od osób postronnych.
- Obudowy, miejsca montażu oraz konstrukcje powinny być wolne od jakichkolwiek deformacji.
- Kable zasilające powinny być w doskonałym stanie oraz powinny być wymienione natychmiast w przypadku jakiegokolwiek defektu.
- Aby zabezpieczyć urządzenie przed przegrzaniem, wentylatory (jeśli takie są) oraz kanały wentylacyjne powinny być czyszczone raz na miesiąc.
- Wnętrze urządzenia powinno być czyszczone corocznie za pomocą odkurzacza.
- Do czyszczenia sprzętu należy używać miękkiej szmatki oraz zwykłego płynu do mycia szyb.
- Ostrożnie osuszaj części.
- Dokonuj czyszczenia zewnętrznej soczewki co najmniej co miesiąc. Wewnętrzne soczewki powinny być czyszczone co 30/60 dni.

**UWAGA:** Wewnętrzne czyszczenie powinno być przeprowadzane przez wykwalifikowaną osobę.

Mode	Program	Description
<b>LA*</b> Laser mode	LAoF	Laser off
	LAAu	Auto mode
	LA r	Red laser
	LA g	Green laser
	LArG	Red + Green laser
	LA01~LA20	Gobo change fast~slow
<b>LE*</b> LED Derby Mode	LE 1	Red dimming
	LE 2	Green dimming
	LE 3	Blue dimming
	LE 4	Colour bump change
	LE 5	mixing colour bump change
	LE 6	Strobe
	LE 7	Auto, Repeat LE 4~6 Mode
	Sd 1~9	Screen flash LE 4~7 speed adjustment
	SP 1~9	Screen flash, led derby motor adjust speed, higher value, speed fast
<b>FL**</b> LEDStrobe	FLoF	off light, no flash
	FL 1~9	flash, higher value, strobe slower
<b>PU**</b> UV Setting	PUON	UV dimming, LA**\LE**\FL** available
	PUOF	UV off LA**\LE**\FL**, available
Au 1	Au 1	Fast auto mode 1
Au 2	Au 2	Slow auto mode 2
<b>S1**</b> Sound 1 mode & No sound slow	S101~S120	Sound mode
	uoL1~uoL9	Screen flash, sound sensitivity adjust
<b>S2**</b> Sound 2 mode	S201~S220	Sound mode
	uoL1~uoL9	Screen flash, sound sensitivity adjust
<b>A***</b>	A001~A512	DMX/Slave mode



## DMX CHANNELS / DMX KANALEN / DMX-KANÄLE / CANALES DMX / CANAUX DMX / KANAŁÓW DMX

### 9 Channels

Channel	Function	Value	Description
1	UV LED	000-009	UV Off
		010-255	UV On
2	White LED	000-009	White LED off
		010-255	White LED on
3	Magic dimmer	000-009	No function
		010-044	Magic Red, Blue, Amber
		045-079	Magic Red, White, Amber
		080-114	Magic Blue, Green, Pink
		115-149	Magic Red, Blue, White, Amber
		150-184	Magic Green, Blue, White, Amber, Pink
		185-219	Magic Red, Green, Blue, Amber, Pink
		220-255	Magic all colours on
4	Laser dimmer	000-009	No function
		010-099	Red laser
		100-199	Green laser
		200-255	Red and Green laser
5	Master dimmer	000-016	All on (when Channel 1,2 and 3 full on)
		017-033	Only UV (when channel 1 is full on)
		034-050	Only magic effect
		051-067	Red and Green laser
		068-084	White LED
		085-101	Uv LED Magic effect
		102-118	White LED with red and green laser
		119-135	Magic effect with red and green laser
		136-152	Only white LED
		153-169	Uv LED with red and green laser
		170-186	Uv LED with magic effect
		187-203	Uv LED with magic effect and red/green laser
		204-220	White LED with magic effect and red/green laser
221-255	All effect on		
6	Strobe	000-009	No strobe
		010-255	Strobe from fast to slow
7	Magic effect rotation	000-009	No function
		010-255	Magic effect rotation from fast to slow
8	Laser rotation	000-009	No function
		010-255	Laser rotation from fast to slow
9	Auto/ sound	000-050	No function
		051-250	Auto programs
		251-255	Sound programs

## TECHNICAL SPECIFICATION / TECHNISCHE SPECIFICATIE / TECHNISCHE DATEN / ESPECIFICACIONES TÉCNICAS / SPÉCIFICATIONS TECHNIQUES / SPECYFIKACJA TECHNICZNA

Rated voltage	: AC110~240V 50/60Hz
Rated power	: 40W
LED	: 4x3W RGBW
Laser	: Green 75mW / Red 150mW
Fuse	: F3A
DMX	: 9 Channels
Function	: DMX, Auto, Sound active, Master-Slave and IRC
Dimensions per unit	: 185 x 200 x 210mm
Weight (per unit)	: 1.8kg

The specifications are typical. The actual values can slightly change from one unit to the other. Specifications can be changed without prior notice.



**ENGLISH** : *Attention! The use in France is only allowed to the professional user and not to the enduser. See decision: [www.legifrance.gouv.fr](http://www.legifrance.gouv.fr)*



**NEDERLANDS** : *Let op! Het gebruik in Frankrijk is alléén toegestaan voor de professionele gebruiker en niet voor de consument. Zie besluit: [www.legifrance.gouv.fr](http://www.legifrance.gouv.fr)*



**DEUTSCH** : *Hinweis! Die Nutzung in Frankreich ist nur für den professionellen Anwender und nicht für den Endbenutzer zulässig. Siehe Beschluß: [www.legifrance.gouv.fr](http://www.legifrance.gouv.fr)*



**ESPAÑOL**: *Atención!! El uso de este aparato en Francia está restringido a profesionales y no a usuario final. Vea la decisión: [www.legifrance.gouv.fr](http://www.legifrance.gouv.fr).*



**FRANCAIS** : *Attention! L'utilisation en France est autorisée à l'utilisateur professionnel et non le consommateur. Consultez decret: [www.legifrance.gouv.fr](http://www.legifrance.gouv.fr)*



*Pour des questions de sécurité, la législation française interdit l'utilisation de lasers de classe supérieure à 2 en dehors d'une liste d'usages spécifiques autorisés (une nouvelle réglementation à partir du 1er juillet 2013).*



**POLSKI** : *Uwaga! Użytkowanie urządzenia we Francji jest dozwolone jedynie profesjonalistom, zabronione jest korzystanie ze sprzętu użytkownikom końcowym. Zobacz regulację prawną: [www.legifrance.gouv.fr](http://www.legifrance.gouv.fr)*





**tronios**  
Sound & Light

## CE Declaration of Conformity

Manufacturer: TRONIOS BV  
Bedrijvenpark Twente 415  
7602 KM – ALMELO  
+31(0)546589299  
+31(0)546589298  
The Netherlands

Product number: 153.734

Product Description: Magic 2

Trade Name: BEAMZ

Regulatory Requirement: EN 55015:2013  
EN 61000-3-2:2014; -3-:2013  
EN 61547:2009  
EN 61000-4-2:2009; -4-3:2006+A1:2008+A2:2010; -4-4:2012, -4-5:2014; -  
4-6:2014; -4-8:2010; -4-8:2010; -4-11:2004  
EN 60598-2-17:1989+a2:1991  
EN 60598-1:2015

I hereby declare that the product meets the requirements stated in Directives 2014/35/EU, 2014/30/EU 2011/65/EU and conforms to the above mentioned Declarations.

Almelo,  
19-03-2018

Name : *M. Velders*

Signature :

Specifications and design are subject to change without prior notice..

**[www.tronios.com](http://www.tronios.com)**

Copyright © 2018 by TRONIOS the Netherlands