

# USER MANUAL

## INSTALLATION

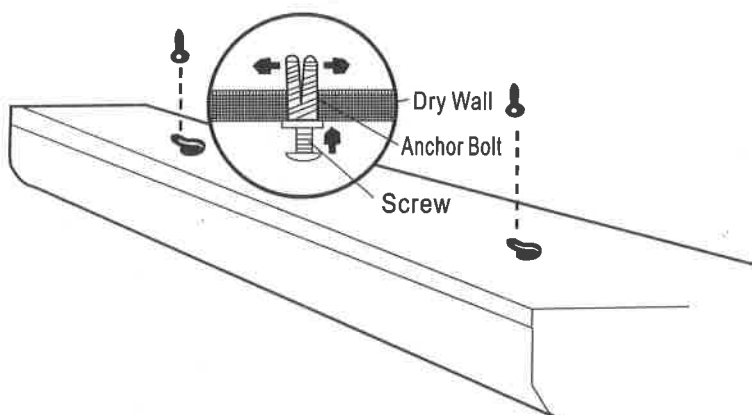
For dry wall installation, drill guide hole for anchor bolt using supplied template.

(See picture below)

Step1:Insert anchor bolt into dry wall.

Step2:Place fixture into position and screw in screw.

Step3:Anchor bolts will expand as screw is tightened into position



## CAUTION

**Keep this device away from rain and moisture!**

**Unplug mains lead before opening the housing.**

**For your own safety, please read this user manual carefully before you initial start-up.**

1. Make sure that the available voltage is not higher than stated on the technical sticker.
2. Make sure that power-cord is never crimped or damaged by sharp edges. Check the device and the power-cord from time to time.
3. Always disconnect from the mains when the device is not in use of before cleaning it, only handle the power-cord by the plug. Never pull out the plug by tugging the power-cord.
4. Keep away children and amateurs when the device is working.
5. Don't stare at the UV fluorescent tube for a long time when it is working.
6. Don't touch and take out the fluorescent bulb when it is working.
7. Don't expose under the UV light overly.
8. This device falls under protection-class II and features a protective insulation.
9. Please disconnect power when replace fluorescent bulb.

